

DC High-efficiency Backward Curved Centrifugal Fan

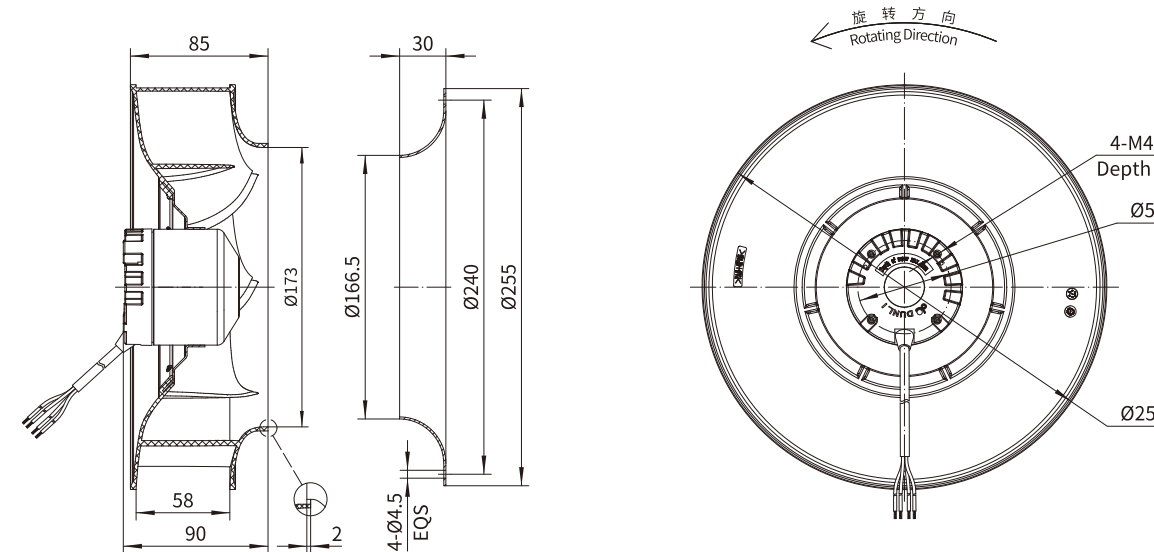
Erp2015
EXCEEDS THE NORM

Motorized Backward Curved Impeller (24V & 48V)

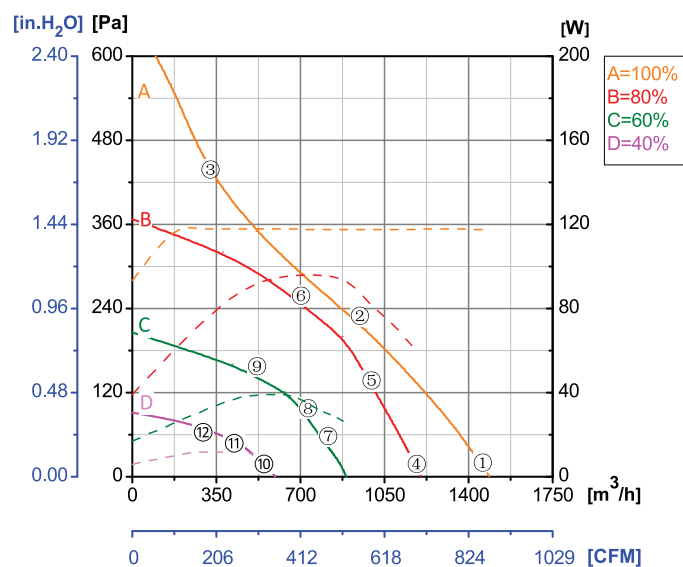


Φ 250

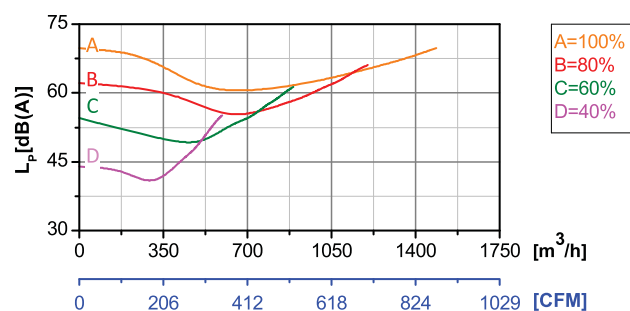
Rotor Material: Carbon steel
Impeller Material: Plastic
Ingress Protection: IP42
Insulation Class: F
Bearing Type: Maintenance free ball bearing



Performance Curves

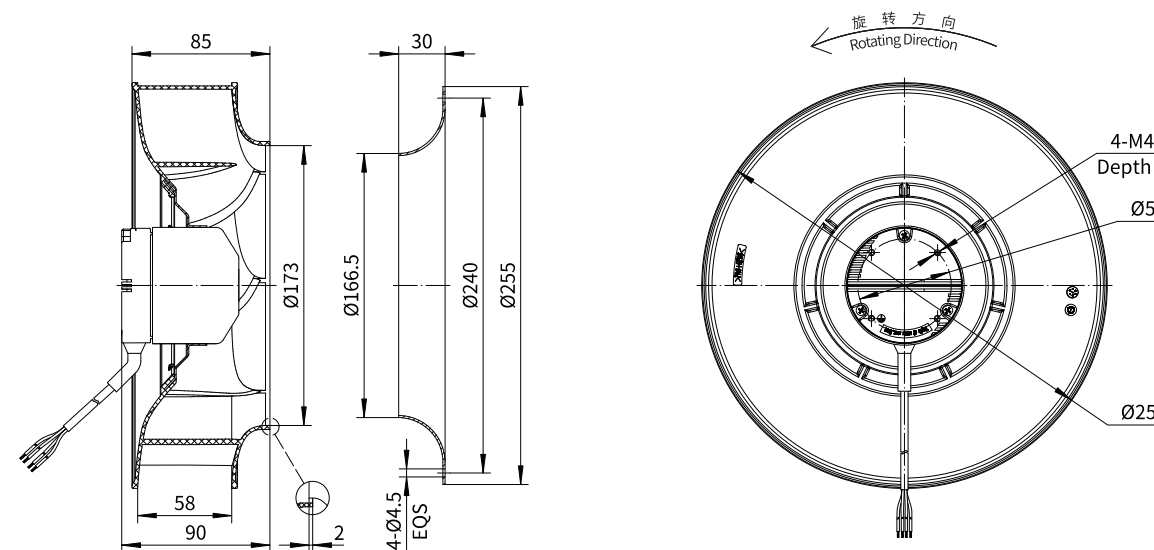


Test Point	Speed	Input Power
	rpm	W
1	2605	117
2	2230	117
3	2352	117
4	2082	57
5	2081	79
6	2078	96
7	1565	30
8	1565	35
9	1564	39
10	1045	10
11	1045	11
12	1045	12



Erp2015 Data:
Efficiency $\eta_{statA} = \% < 125W$
Efficiency grade $N_{actual} = *, N_{target} = 44$
Test report NO.: L-20210302-005-110

Motorized Backward Curved Impeller (310V)



Model No.	Voltage	Frequency	Speed	Input Power	Current	Working Temp.	Approvals
	VAC	Hz	RPM	W	A	Min/Max (°C)	
DC72-B250-A01	24	/	2500	120	5.00	-20/+60	CE
DC72-B250-C01	48	/	2500	120	2.50	-20/+60	CCC,CE
DC72-B250-D10	310	/	2500	120	0.39	-20/+60	CCC,CE