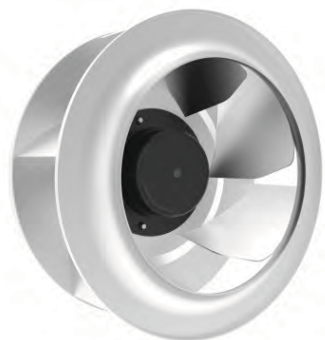


EC Backward Centrifugal Fan with Metal Impeller

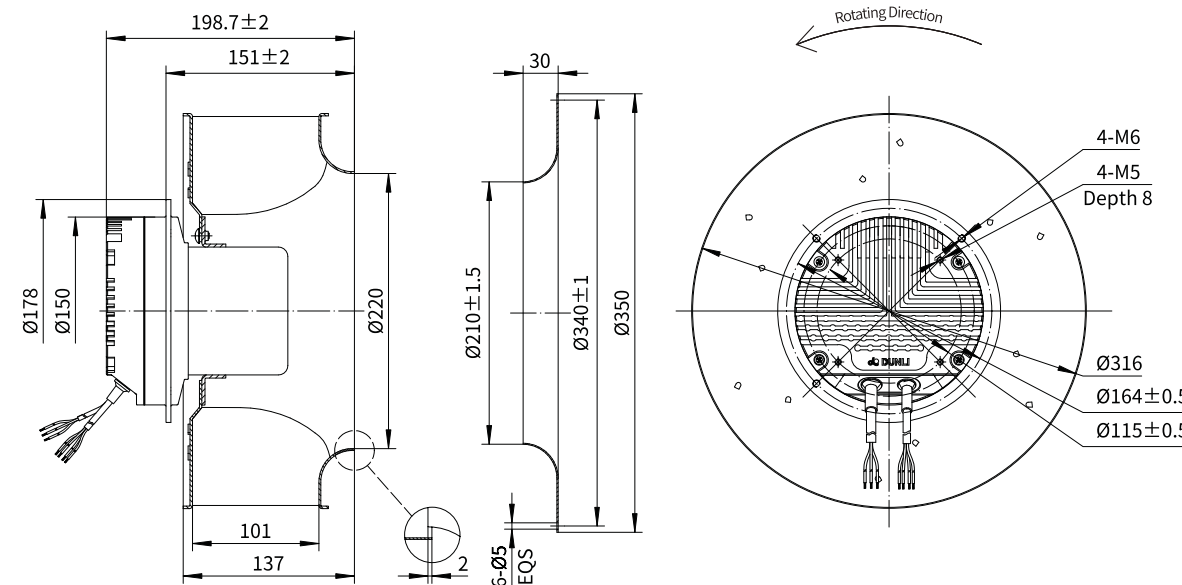
Erp2015
EXCEEDS THE NORM

Motorized Backward Curved Impeller

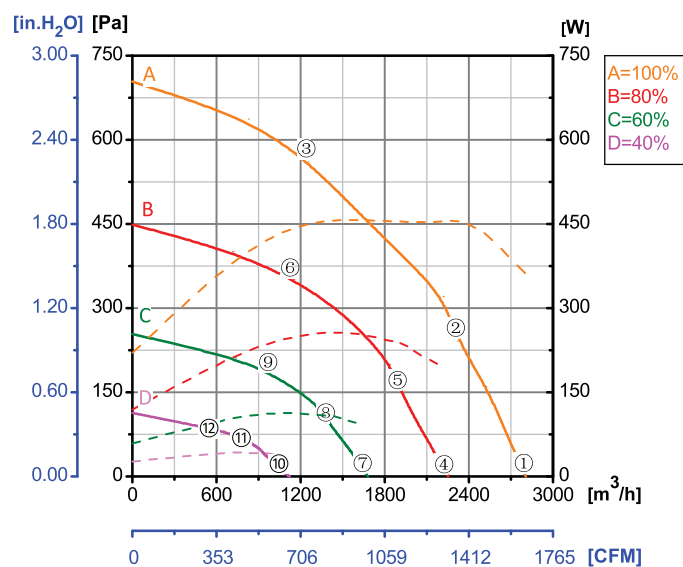


Φ 310-H

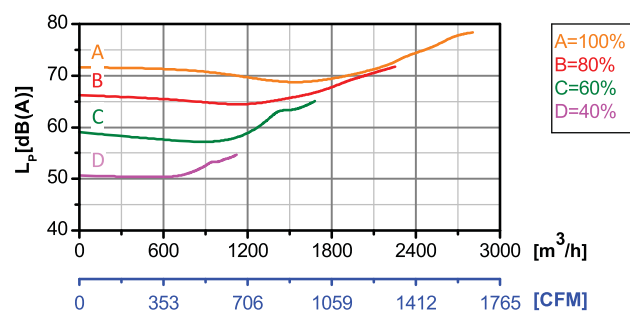
Rotor Material: Carbon steel
 Impeller Material: Aluminum alloy sheet
 Ingress Protection: IP54
 Insulation Class: F
 Bearing Type: Maintenance free ball bearing



Performance Curves



Test Point	Speed	Input Power
	rpm	W
1	2303	361
2	2261	459
3	2267	454
4	1844	191
5	1843	240
6	1844	251
7	1381	87
8	1390	110
9	1387	113
10	923	35
11	924	40
12	924	43



Erp2015 Data:
 Efficiency η_{statA}=51.8%
 Efficiency grade N_{actual}=65.9, N_{target}=62
 Test report No. : L-20210302-005-049

Model No.	Voltage	Frequency	Speed	Input Power	Current	Working Temp.	Approvals
	VAC	Hz	RPM	W	A	Min/Max (°C)	
EC102-B310-033	1~220/230	50/60	2300	385	1.68	-20/+60	CCC,CE