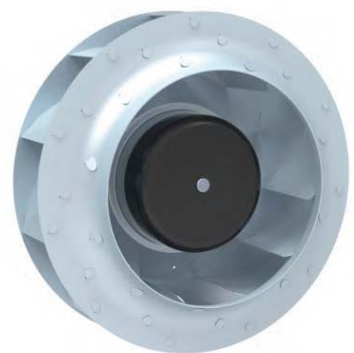


EC Backward Centrifugal Fan with Metal Impeller

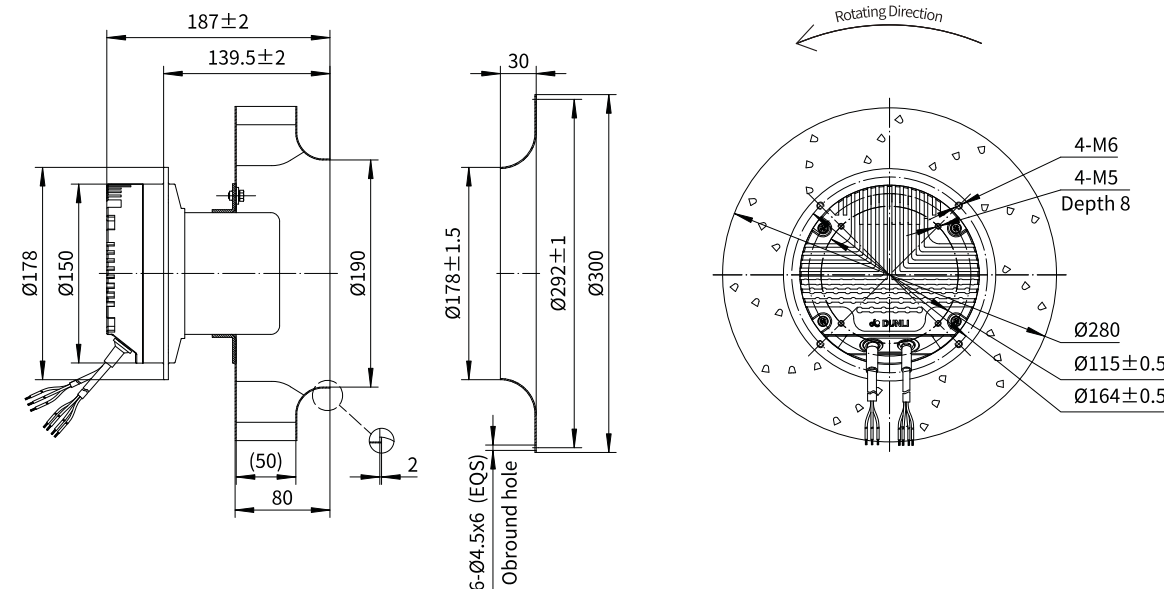
ErP2015  
EXCEEDS THE NORM

Motorized Backward Curved Impeller

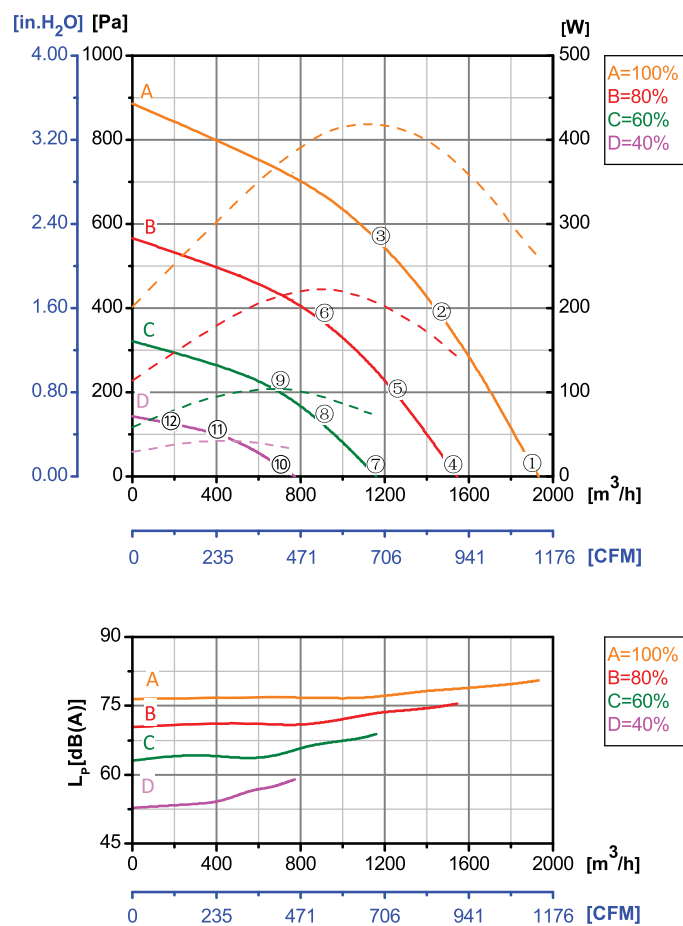


Φ 280-H

Rotor Material: Carbon steel  
 Impeller Material: Galvanized steel sheet  
 Ingress Protection: IP54  
 Insulation Class: F  
 Bearing Type: Maintenance free ball bearing



Performance Curves



Test Point	Speed	Input Power
	rpm	W
1	3096	260
2	3096	382
3	3097	420
4	2473	142
5	2475	190
6	2477	225
7	1857	72
8	1857	93
9	1857	105
10	1236	33
11	1238	38
12	1238	43

Erp2015 Data:  
 Efficiency  $\eta_{statA}$  = 48.3%  
 Efficiency grade  $N_{actual}$  = 62.8,  $N_{target}$  = 62  
 Test report No. : L-20210302-005-047

Model No.	Voltage	Frequency	Speed	Input Power	Current	Working Temp.	Approvals
	VAC	Hz	RPM	W	A	Min/Max (°C)	
EC102-B280-002	1~220/230	50/60	3100	350	2.50	-20/+60	CCC,CE