

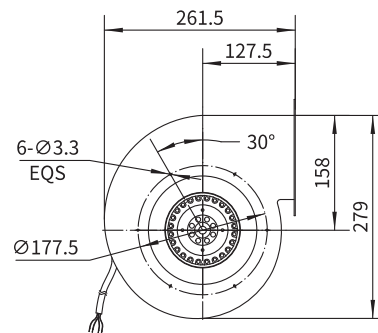
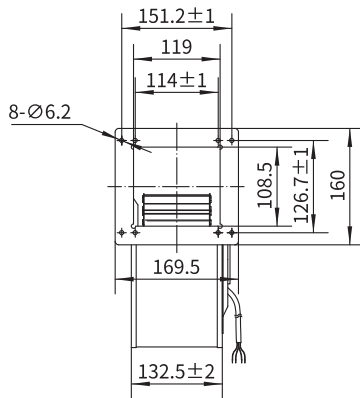
## Forward Curved Blower



### Φ 180

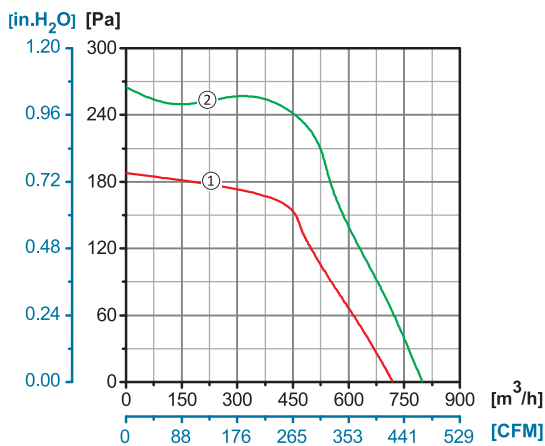
**Rotor Material:** Aluminum Die-casting  
**Impeller Material:** Galvanized Steel Sheet  
**Ingress Protection:** IP54  
**Insulation Class:** F  
**Bearing Type:** Maintenance Free Ball Bearing

### Dimensional Drawings



Note: Revers direction is available

### Performance Curves



Model No.	Voltage	Frequency	Current	Power	Speed	Capacitor	Air Flow (0 Pa)	Noise	Curve	Working Temp.	Approvals
	V	Hz	A	W	RPM	µF	[m³/h]/[CFM]	dB(A)	No.	Min/Max (°C)	
YWF.F4S-180-092AA0A	110/120	60	1.70	190	1500	12	800/471	67	②	-30/+60	
YWF.F4S-180-092AA00	220/230	50	0.70	140	1330	3.5	720/423	65	①	-30/+60	CCC, CE
	220/230	60	0.90	200	1550	3.5	790/464	67	②	-30/+60	CE

