



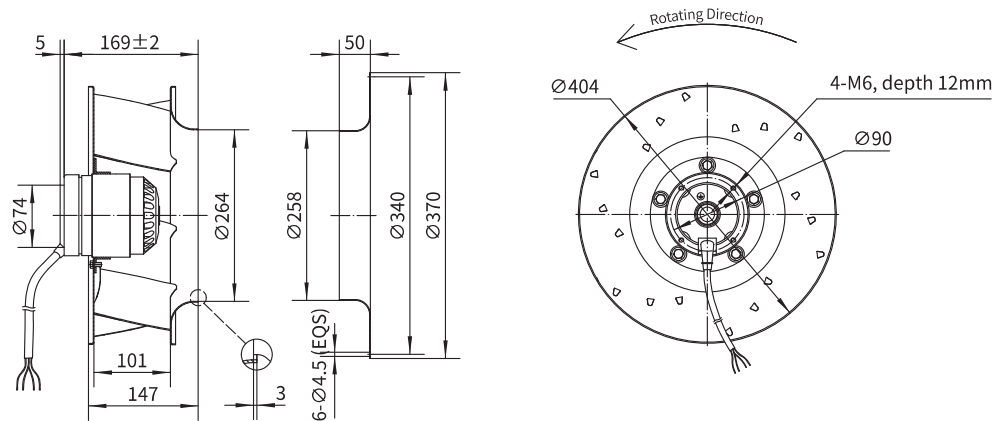
## Backward Curved Centrifugal Fan with Conventional Metal Impeller



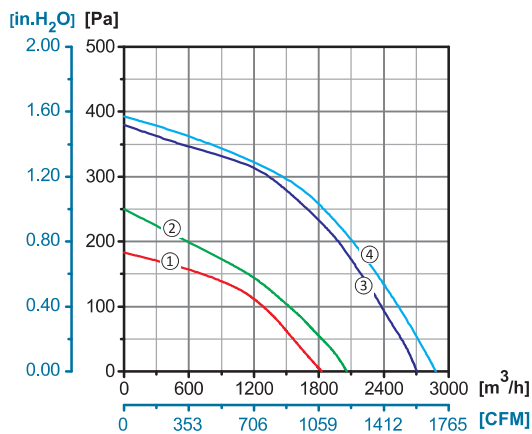
### Φ 400

**Rotor Material:** Aluminum Die-casting  
**Impeller Material:** Aluminum Alloy  
**Ingress Protection:** IP54  
**Insulation Class:** F  
**Bearing Type:** Maintenance Free Ball Bearing

### Dimensional Drawings



### Performance Curves



Model No.	Voltage	Frequency	Current	Power	Speed	Capacitor	Air Flow (0 Pa)	Noise	Curve	Working Temp.	Approvals
	V	Hz	A	W	RPM	µF	[m <sup>3</sup> /h]/[CFM]	dB(A)	No.	Min/Max (°C)	
YWF.B4S-400-147AB10	220/230	50	1.2	260	1350	7	2700/1588	75	③	-30/+60	CCC, CE
YWF.B4T-400-147AB10	380/400	50	0.58	200	1380	/	2880/1694	74	④	-30/+60	CCC, CE
YWF.B6S-400-147AB10	220/230	50	0.55	120	920	7	1810/1064	61	①	-30/+60	CCC, CE
YWF.B6T-400-147AB10	380/400	50	0.35	105	940	/	1825/1073	54	①	-30/+60	CCC, CE
	380/400	60	0.30	125	1040	/	2060/1211	58	②	-30/+60	CE