

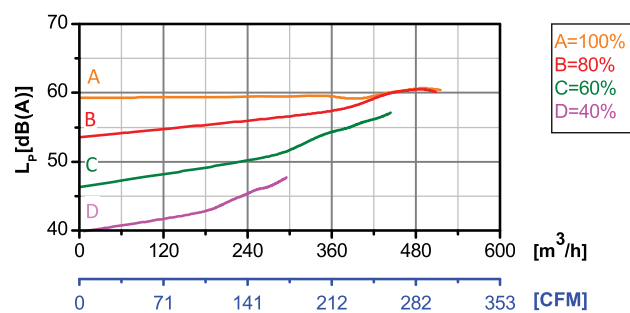
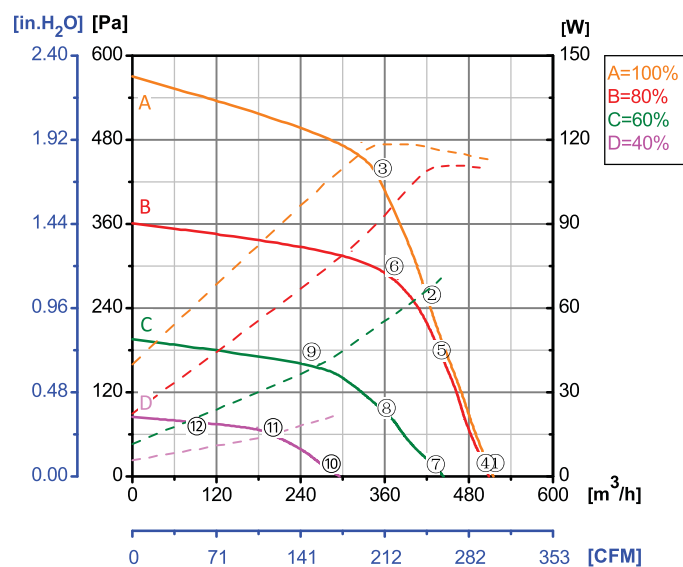
DC Forward Curved Centrifugal Fan and Blower



Φ 140

Rotor Material: Carbon steel
 Housing Material: Carbon steel
 Impeller Material: Plastic
 Ingress Protection: Ip42
 Insulation Class: F
 Bearing Type: Maintenance free ball bearing

Performance Curves

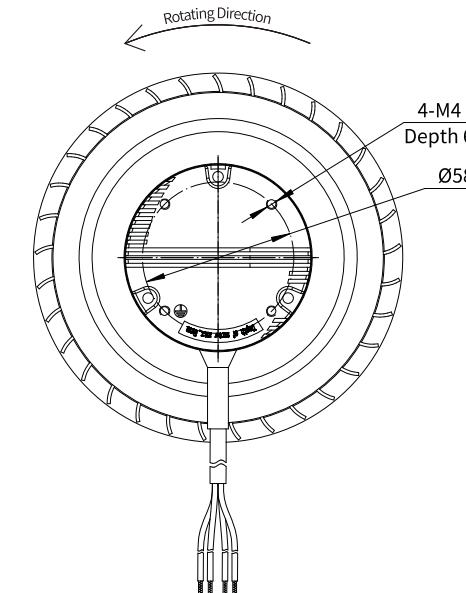
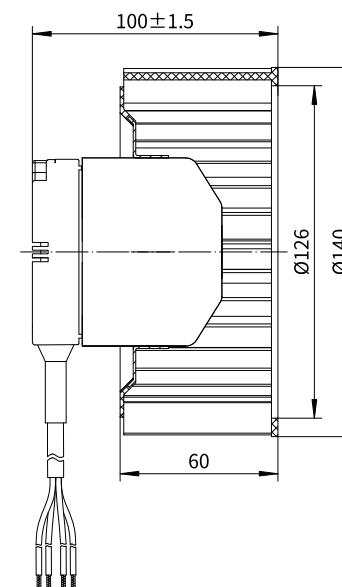


| Test Point | Speed | Input Power |
|------------|-------|-------------|
| | rpm | W |
| 1 | 2200 | 112 |
| 2 | 2576 | 117 |
| 3 | 2901 | 118 |
| 4 | 2196 | 109 |
| 5 | 2416 | 110 |
| 6 | 2550 | 98 |
| 7 | 1918 | 71 |
| 8 | 1922 | 58 |
| 9 | 1902 | 39 |
| 10 | 1292 | 22 |
| 11 | 1293 | 19 |
| 12 | 1279 | 15 |

Erp2015 Data:
 Efficiency $\eta_{statA} = *% < 125W$
 Efficiency grade $N_{actual} = *, N_{target} = 44$
 Test report No. : L-20210302-003-097

| Model No. | Voltage | Frequency | Speed | Input Power | Current | Working Temp. | APPROVALS |
|---------------|---------|-----------|-------|-------------|---------|---------------|-----------|
| | VAC | Hz | RPM | W | A | Min/Max (°C) | |
| DC72-F140-D10 | DC 310 | / | 2250 | 115 | 0.37 | -20/+60 | CCC,CE |

Motorized Forward Curved Impeller



Blower

