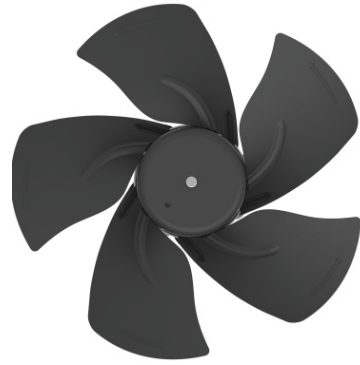


EC Conventional Carbon Steel Blade Axial Fan

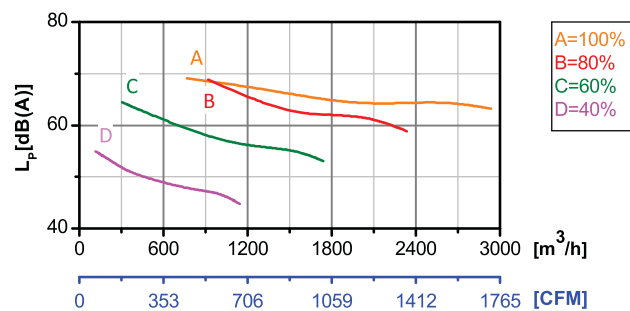
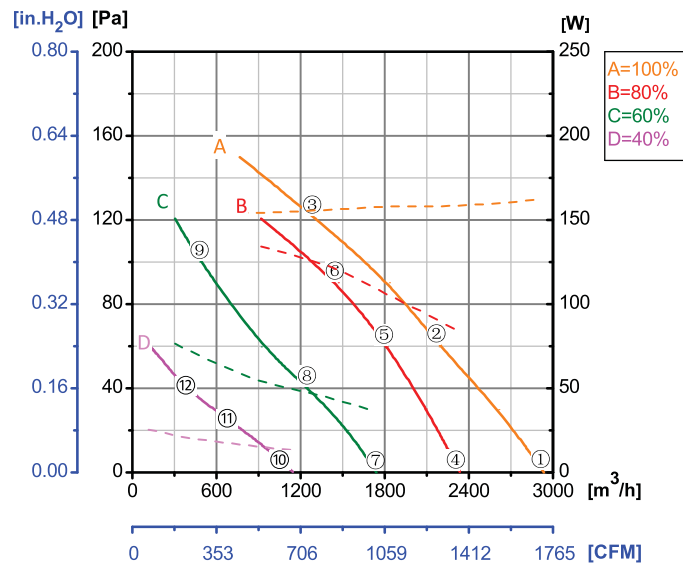
Erp2015
EXCEEDS THE NORM



Φ 300

Rotor Material: Carbon steel
Blade Material: Carbon steel
Ingress Protection: IP44
Insulation Class: F
Bearing Type: Maintenance free ball bearing

Performance Curves

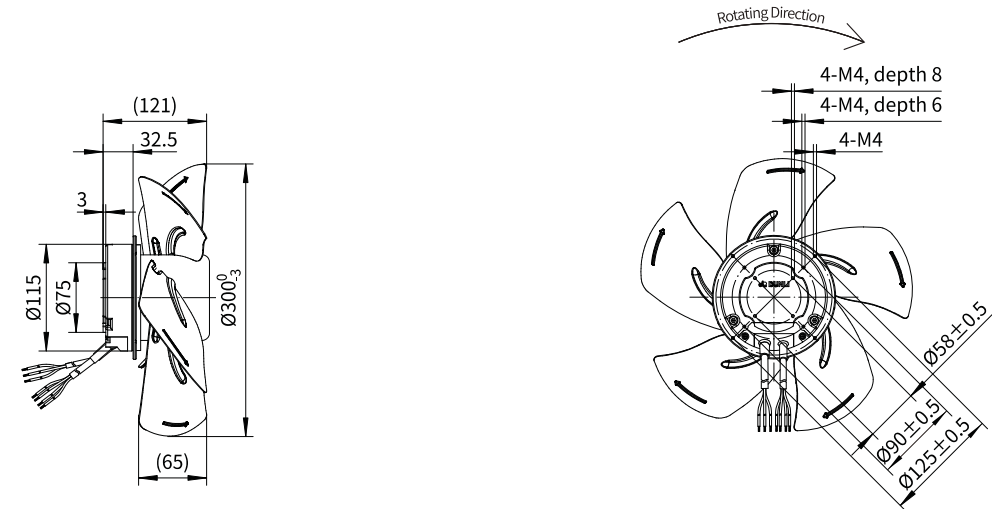


Test Point	Speed	Input Power
	rpm	W
1	2234	162
2	2051	158
3	1907	156
4	1786	83
5	1788	105
6	1789	134
7	1339	36
8	1342	48
9	1342	69
10	893	13
11	896	16
12	895	23

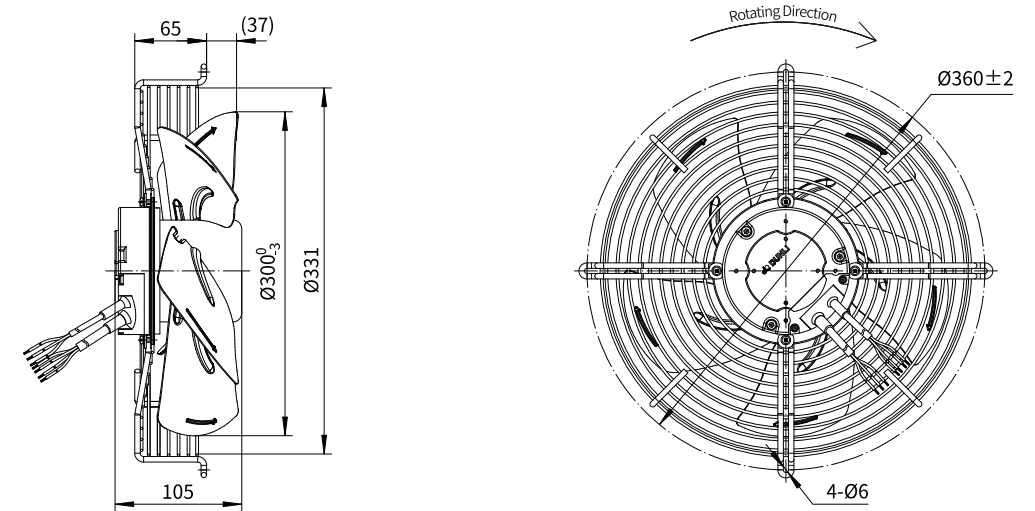
Erp2015 Data:
Efficiency η_{statA} = 33.2%
Efficiency grade N_{actual} = 44.6, N_{target} = 40
Test report No. : L-20210302-004-020

Model No.	Voltage	Frequency	Speed	Input Power	Current	Working Temp.	APPROVALS
	VAC	Hz	RPM	W	A	Min/Max (°C)	
EC92-A300-015	1~220/230	50/60	2140	180	1.41	-20/+60	CCC,CE,UL

Type A



Type D



Type F

