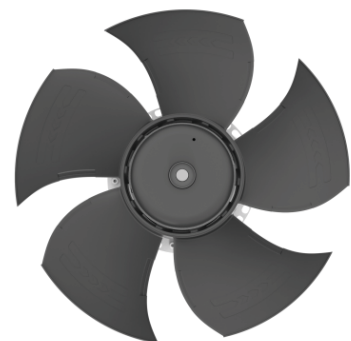


EC Plastic Airfoil Blade Axial Fan

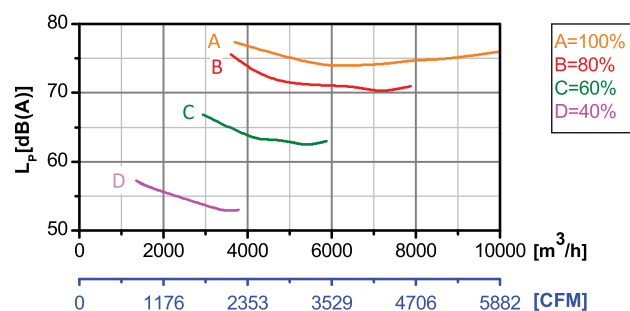
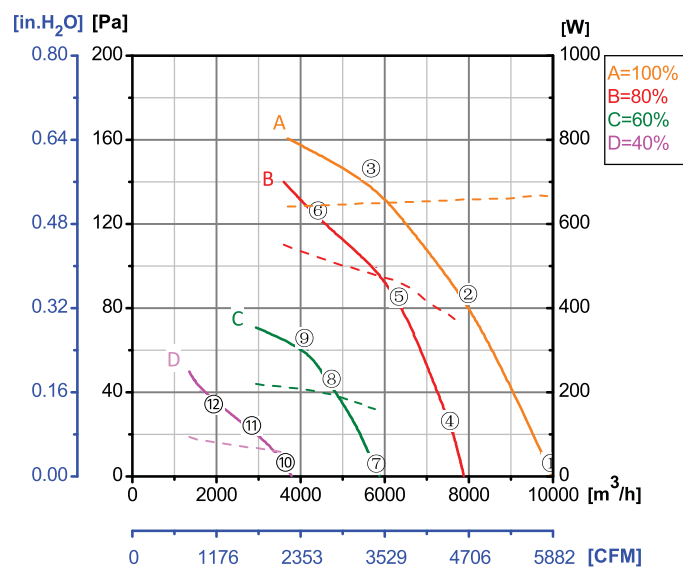
ErP2015
EXCEEDS THE NORM



Φ 500

Rotor Material: Carbon steel
Blade Material: Plastic
Ingress Protection: IP54
Insulation Class: F
Bearing Type: Maintenance free ball bearing

Performance Curves

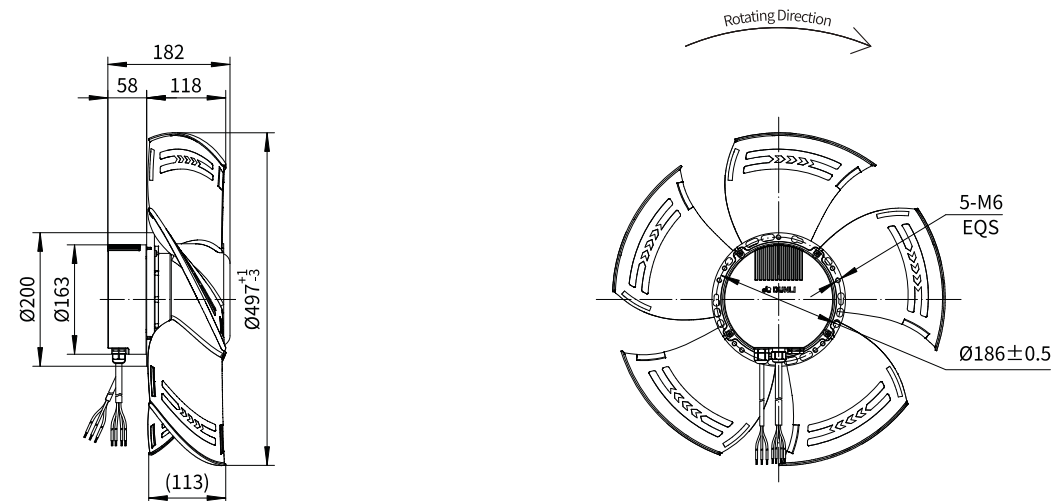


Test Point	Speed	Input Power
	rpm	W
1	1560	666
2	1443	659
3	1360	650
4	1251	346
5	1254	462
6	1251	516
7	937	156
8	937	194
9	937	207
10	624	54
11	624	67
12	625	85

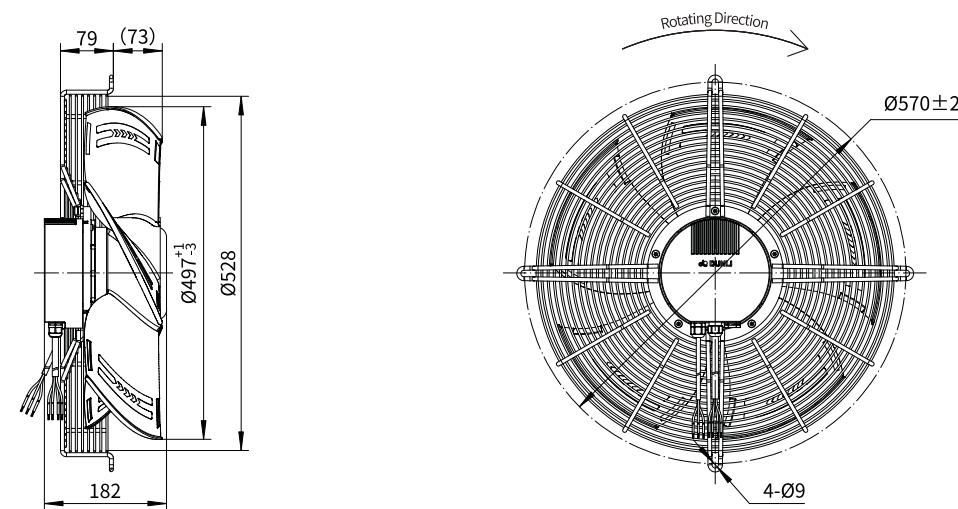
Erp2015 Data:
Efficiency η_{statA} = 37.5%
Efficiency grade N_{actual} = 45, N_{target} = 40
Test report No. : L-20210302-004-054

Model No.	Voltage	Frequency	Speed	Input Power	Current	Working Temp.	APProvals
	VAC	Hz	RPM	W	A	Min/Max (°C)	
EC137-A500-005	1~220/230	50/60	1600	700	4.21	-20/+60	CCC,CE

Type A



Type D



Type F

