

EC High-efficiency Backward Curved Centrifugal Fan

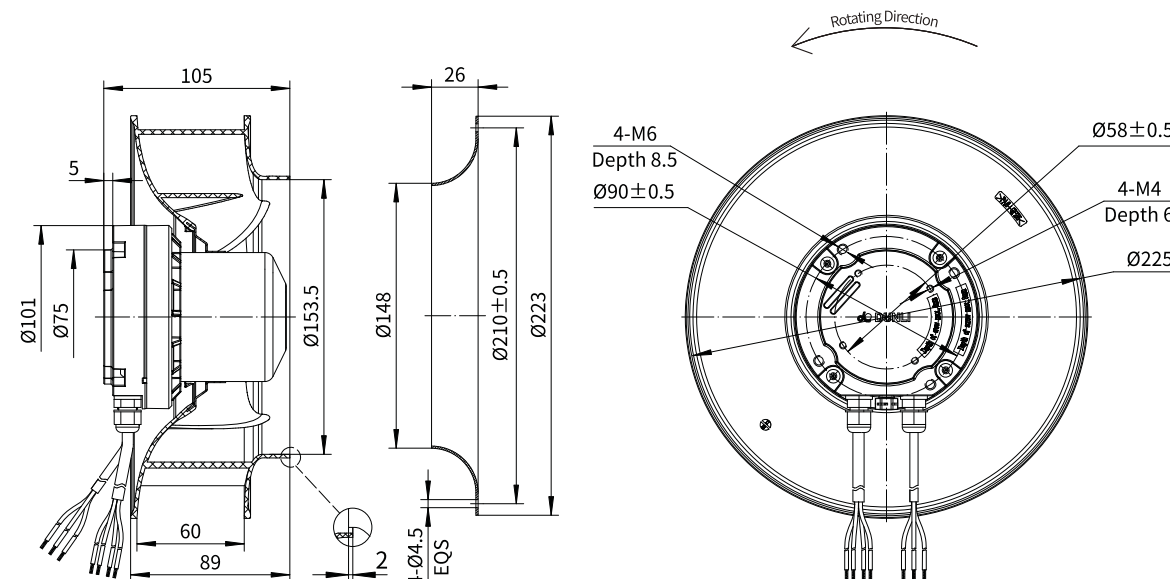
Erp2015
EXCEEDS THE NORM



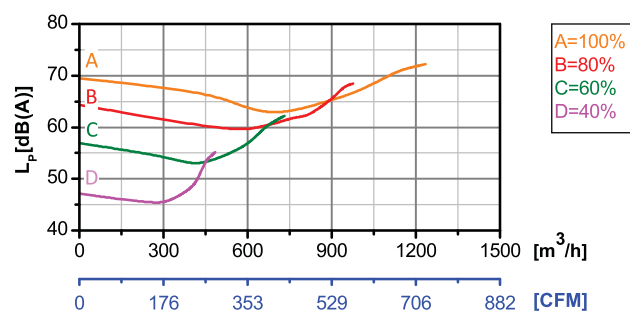
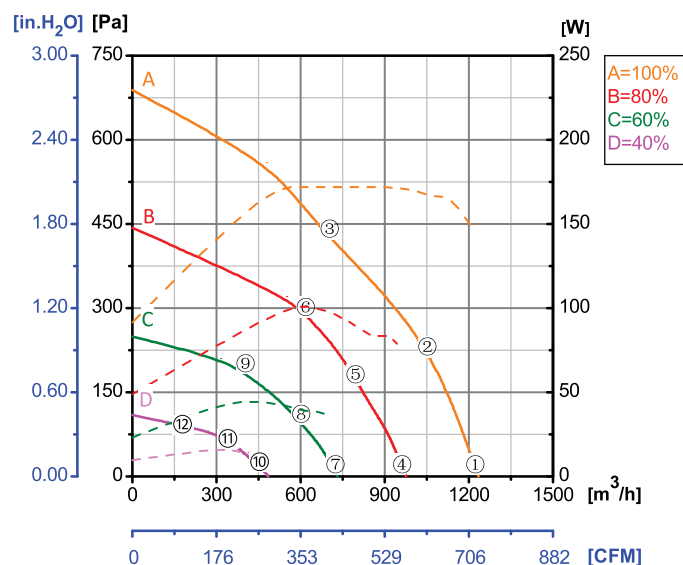
Φ 225

Rotor Material: Carbon steel
Impeller Material: Plastic
Ingress Protection: IP54
Insulation Class: F
Bearing Type: Maintenance free ball bearing

Motorized Backward Curved Impeller



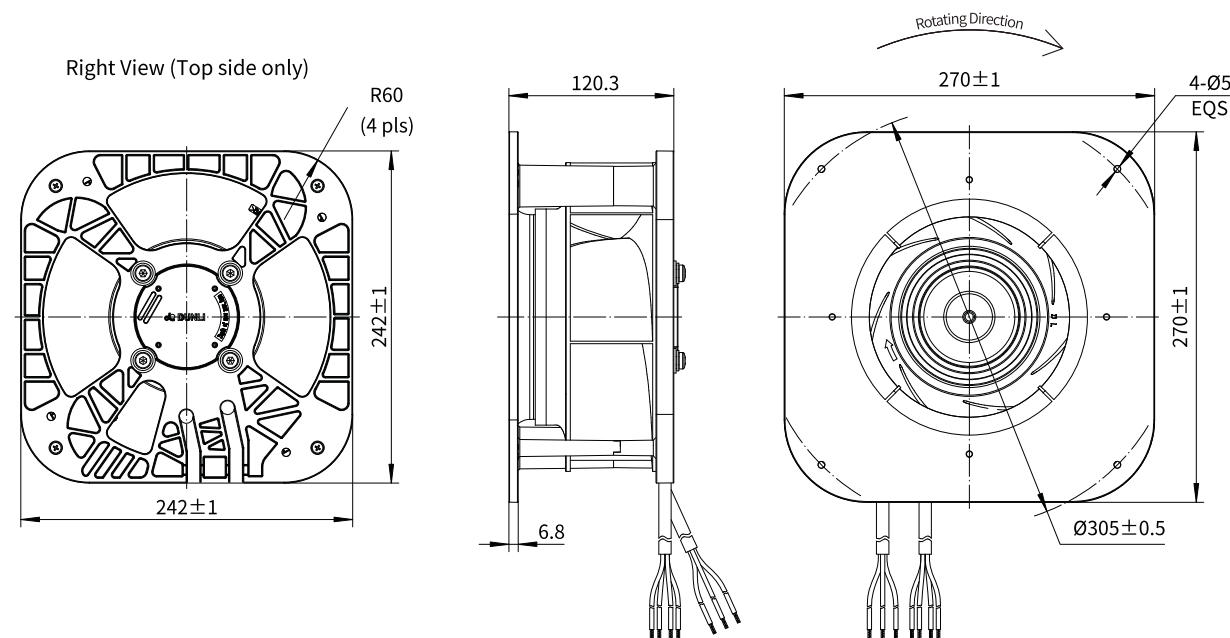
Performance Curves



Test Point	Speed	Input Power
	rpm	W
1	3153	143
2	3155	166
3	3001	172
4	2521	73
5	2519	88
6	2521	101
7	1889	33
8	1890	39
9	1891	45
10	1260	13
11	1260	14
12	1260	16

Erp2015 Data:
Efficiency η_{statA} = 55.3%
Efficiency grade N_{actual} = 73.8, N_{target} = 62
Test report No. : L-20210810-009-001

With Supporting Rack



Model No.	Voltage	Frequency	Speed	Input Power	Current	Working Temp.	APProvals
	VAC	Hz	RPM	W	A	Min/Max (°C)	
EC72-B225-B38	1~220/230	50/60	3100	160	1.20	-20/+60	CCC,CE