



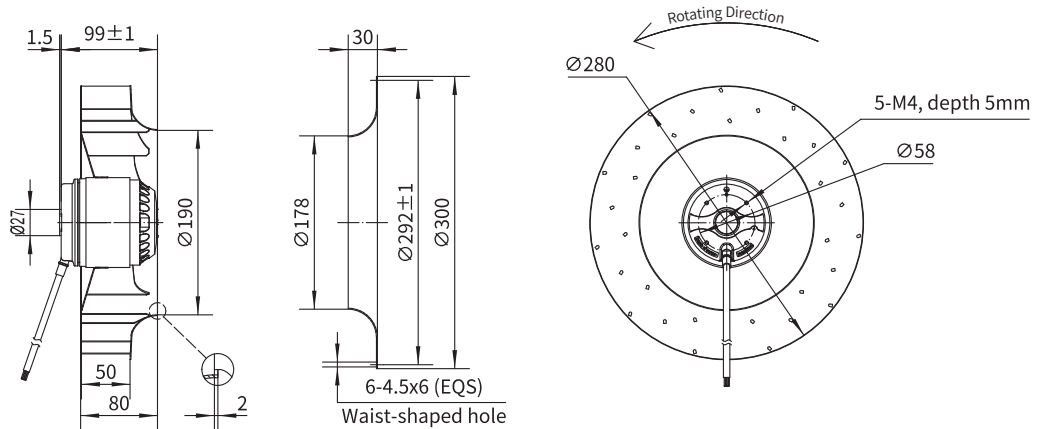
Backward Curved Centrifugal Fan with Conventional Metal Impeller



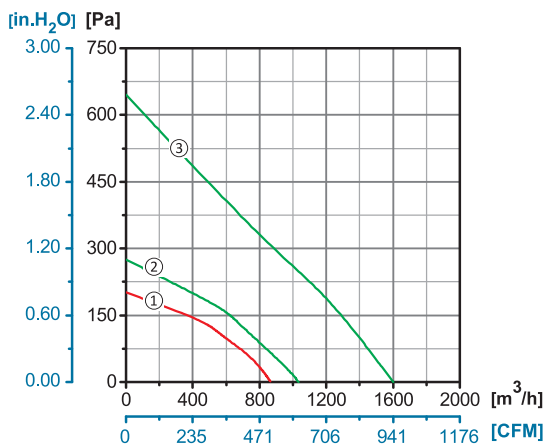
Φ 280

Rotor Material: Aluminum Die-casting
Impeller Material: Galvanized Steel Sheet
Ingress Protection: IP44
Insulation Class: F
Bearing Type: Maintenance Free Ball Bearing

Dimensional Drawings



Performance Curves



Model No.	Voltage	Frequency	Current	Power	Speed	Capacitor	Air Flow (0 Pa)	Noise	Curve	Working Temp.	Approvals
	V	Hz	A	W	RPM	µF	[m ³ /h]/[CFM]	dB(A)	No.	Min/Max (°C)	
YWF.B4S-280-080AB2A	110/120	60	0.68	80	1600	8	1050/617	67	②	-30/+60	
YWF.B2S-280-080AB20	220/230	50	0.98	210	2500	8	1640/964	80	③	-30/+60	CCC, CE
YWF.B4S-280-080AB20	220/230	50	0.29	64	1410	3	863/507	64	①	-30/+60	CCC, CE
	220/230	60	0.45	95	1650	3	1032/607	68	②	-30/+60	CE