

EC Backward Centrifugal Fan with Metal Impeller

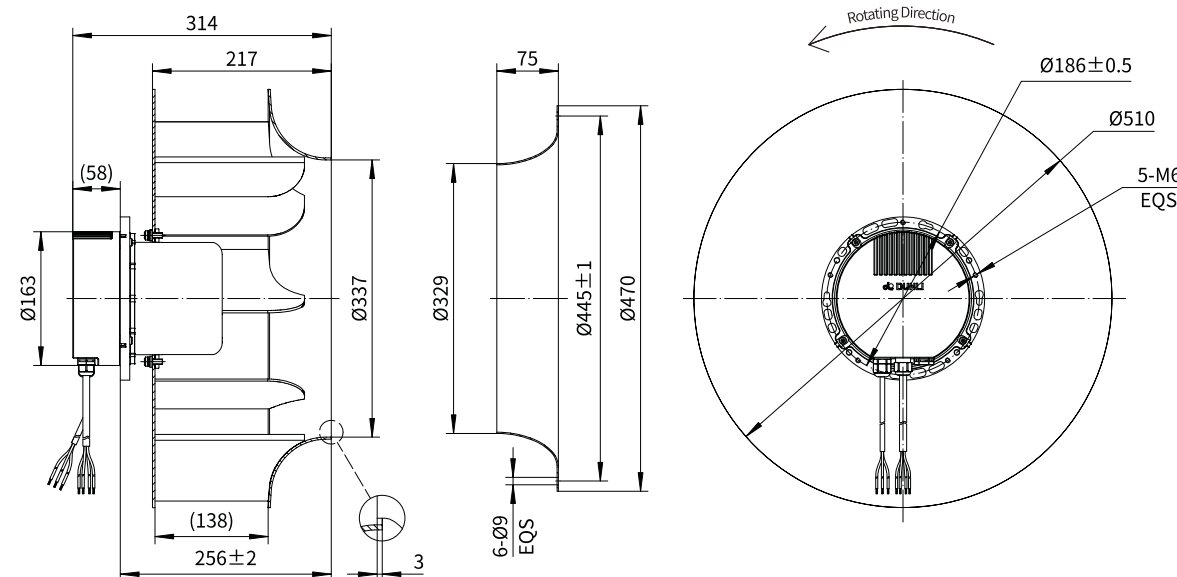
Erp2015
EXCEEDS THE NORM



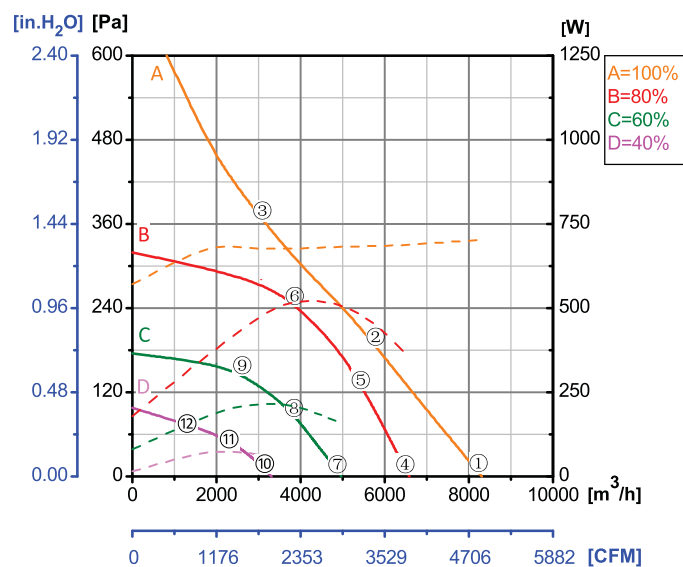
Φ 500

Rotor Material: Carbon steel
Impeller Material: Aluminum alloy sheet
Ingress Protection: IP54
Insulation Class: F
Bearing Type: Maintenance free ball bearing

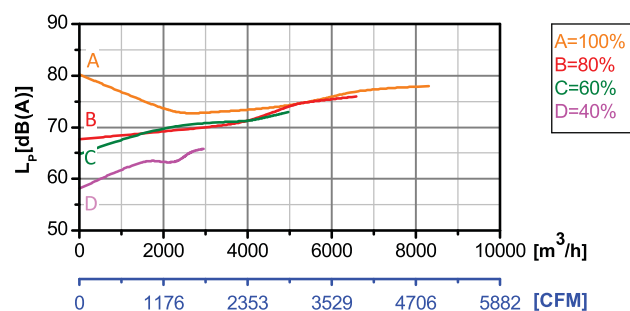
Motorized Backward Curved Impeller



Performance Curves

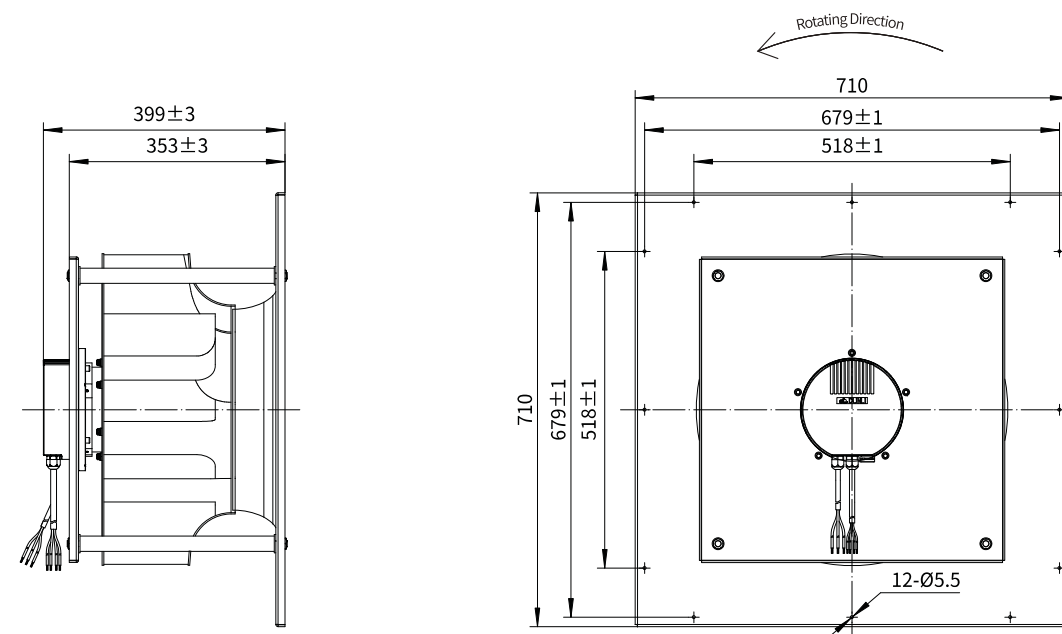


Test Point	Speed	Input Power
	rpm	W
1	1218	704
2	1089	685
3	1093	676
4	976	353
5	978	473
6	980	525
7	731	157
8	730	205
9	729	212
10	493	57
11	493	69
12	492	73



Erp2015 Data:
Efficiency η_{statA}=54.5%
Efficiency grade N_{actual}=66.8, N_{target}=62
Test report No. : L-20210302 -005-070

With Supporting Rack



Model No.	Voltage	Frequency	Speed	Input Power	Current	Working Temp.	Approvals
	VAC	Hz	RPM	W	A	Min/Max (°C)	
EC137-B500-002	1~220/230	50/60	1250	720	4.40	-20/+60	CCC,CE