

EC Conventional Carbon Steel Blade Axial Fan

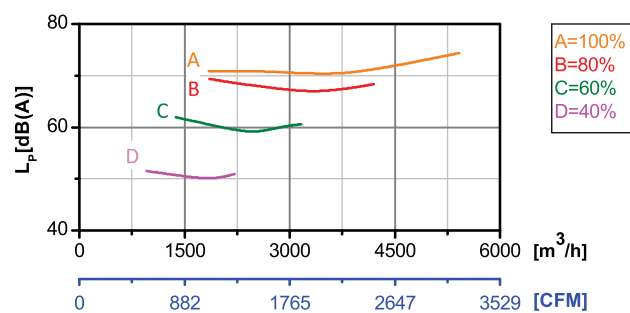
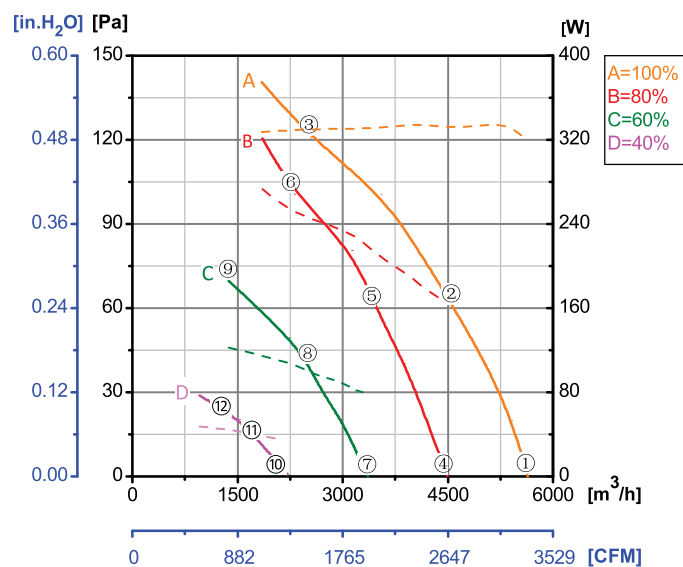
Erp2015
EXCEEDS THE NORM



Φ 450

Rotor Material: Carbon steel
Blade Material: Carbon steel
Ingress Protection: IP54
Insulation Class: F
Bearing Type: Maintenance free ball bearing

Performance Curves

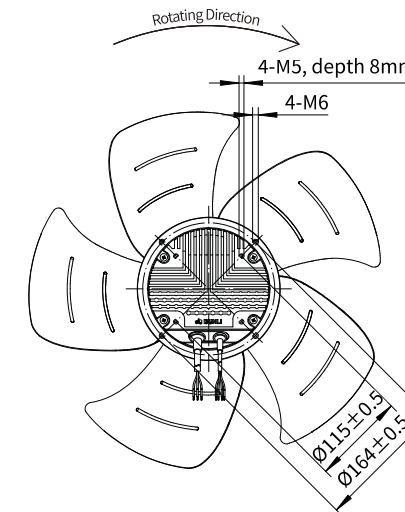
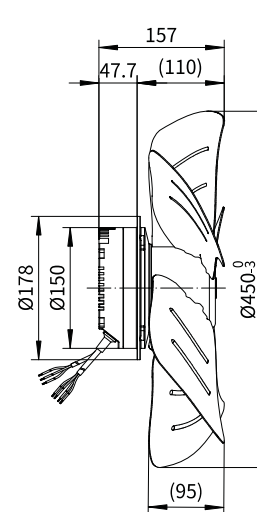


Test Point	Speed	Input Power
	rpm	W
1	1310	318
2	1233	331
3	1142	331
4	1044	165
5	1045	211
6	1044	248
7	786	78
8	787	100
9	789	122
10	525	34
11	526	37
12	526	43

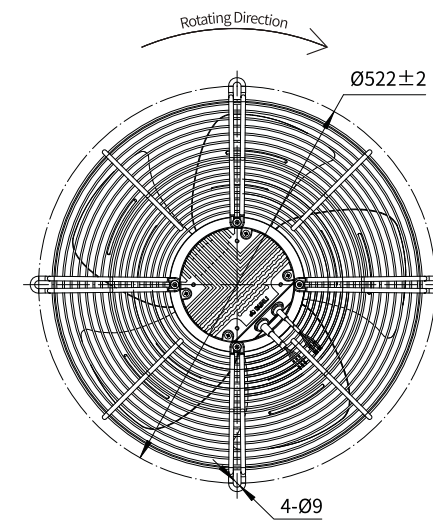
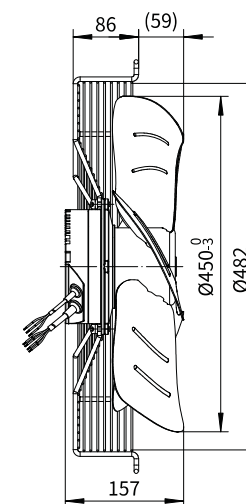
Erp2015 Data:
Efficiency η_{statA} = 33.7%
Efficiency grade N_{actual} = 43, N_{target} = 40
Test report No. : L-20210302-004-045

Model No.	Voltage	Frequency	Speed	Input Power	Current	Working Temp.	Approvals
	VAC	Hz	RPM	W	A	Min/Max (°C)	
EC102-A450-012	1~220/230	50/60	1310	300	1.30	-20/+60	CCC,CE

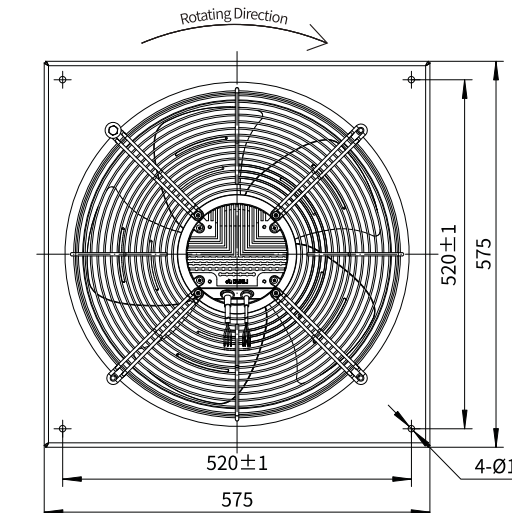
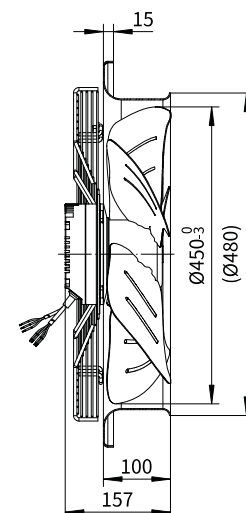
Type A



Type D



Type F



Conventional Steel Blade Axial