

DC Backward Curved Centrifugal Fan with Aileron Impeller

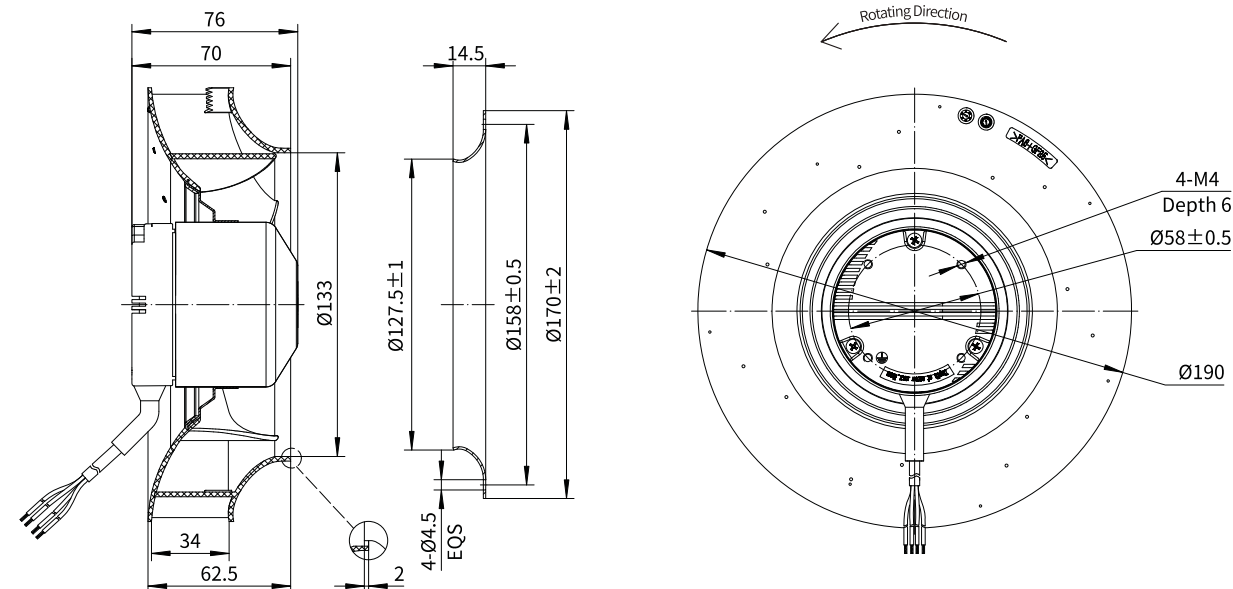
Erp2015
EXCEEDS THE NORM

Motorized Backward Curved Impeller

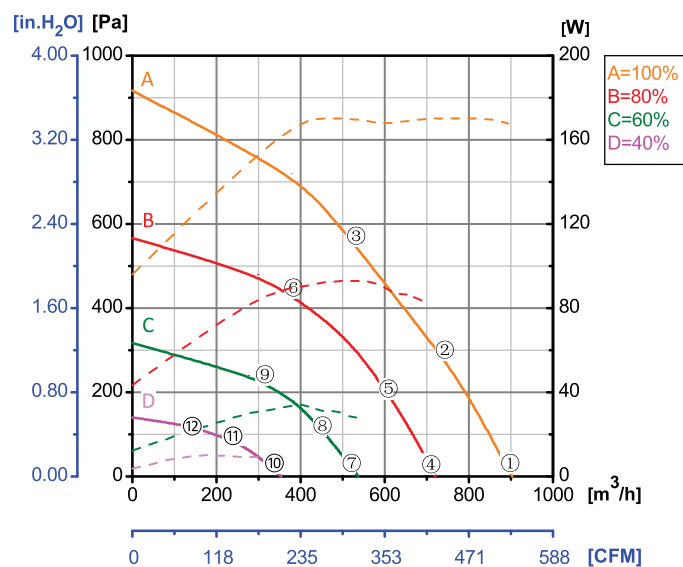


Φ 190

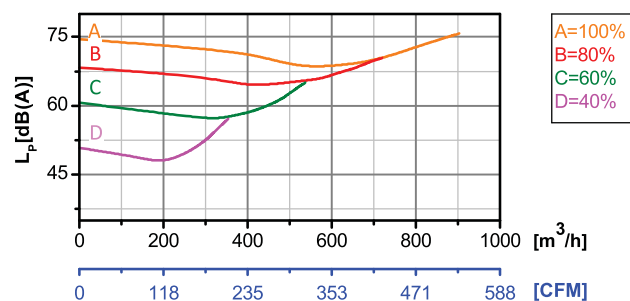
Rotor Material: Carbon steel
 Impeller Material: Plastic
 Ingress Protection: IP42
 Insulation Class: F
 Bearing Type: Maintenance free ball bearing



Performance Curves



Test Point	Speed	Input Power
	rpm	W
1	4355	167
2	4210	170
3	4142	170
4	3488	81
5	3483	87
6	3486	90
7	2616	28
8	2616	31
9	2615	34
10	1745	8
11	1745	9
12	1745	10



Erp2015 Data:
 Efficiency η_{statA}=54.4%
 Efficiency grade N_{actual}=72.9, N_{target}=62
 Test report No. : L-20210806-092

Model No.	Voltage	Frequency	Speed	Input Power	Current	Working Temp.	Approvals
	VAC	Hz	RPM	W	A	Min/Max (°C)	
DC72-B190-D01	310	/	4300	170	0.55	-20/+60	CCC,CE