



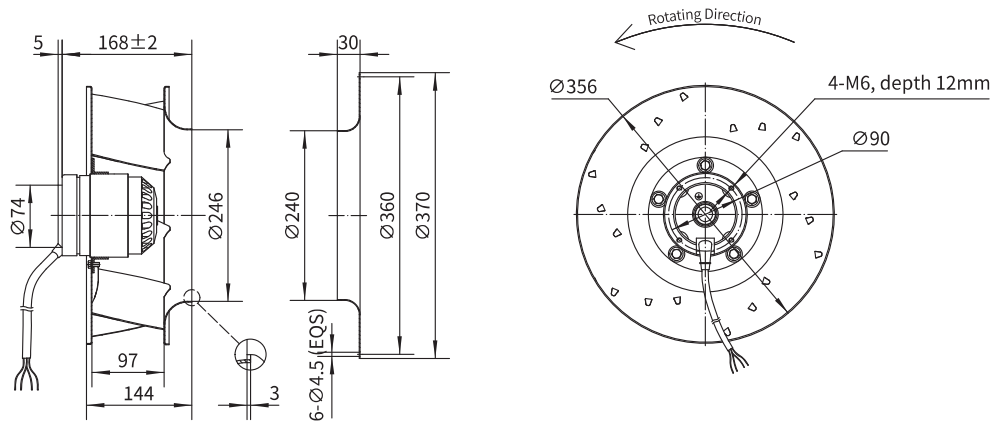
Backward Curved Centrifugal Fan with Conventional Metal Impeller



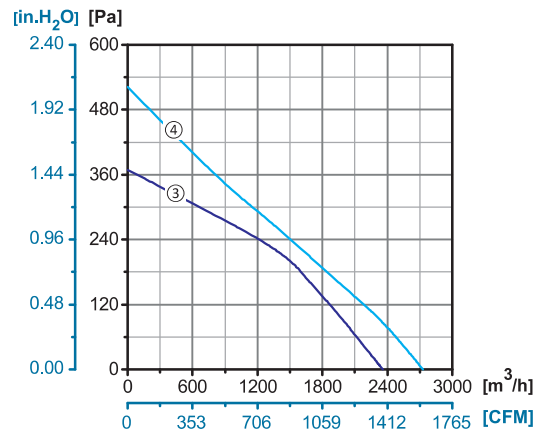
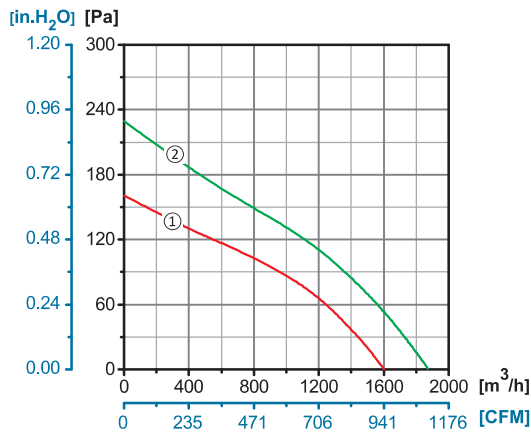
Φ 355

Rotor Material: Aluminum Die-casting
Impeller Material: Aluminum Alloy
Ingress Protection: IP54
Insulation Class: F
Bearing Type: Maintenance Free Ball Bearing

Dimensional Drawings



Performance Curves



Model No.	Voltage	Frequency	Current	Power	Speed	Capacitor	Air Flow (0 Pa)	Noise	Curve	Working Temp.	Approvals
	V	Hz	A	W	RPM	μF	[m³/h]/[CFM]	dB(A)	No.	Min/Max (°C)	
YWF.B4S-355-144AB1A	110/120	60	2.00	240	1600	20	2600/1530	66	④	-30/+60	UL
YWF.B4S-355-144AB10	220/230	50	0.75	165	1400	6	2350/1382	63	③	-30/+60	CCC, CE
YWF.B4T-355-144AB10	380/400	50	0.45	178	1400	/	2380/1400	63	③	-30/+60	CCC, CE
YWF.B6S-355-144AB10	220/230	50	0.46	100	930	4	1600/941	61	①	-30/+60	CCC, CE
	220/230	60	0.50	110	1080	4	1870/1100	62	②	-30/+60	UL, CE
YWF.B6T-355-144AB10	380/400	50	0.32	100	950	/	1650/970	61	①	-30/+60	CCC, CE
	380/400	60	0.35	135	1080	/	1890/1111	62	②	-30/+60	UL, CE

