



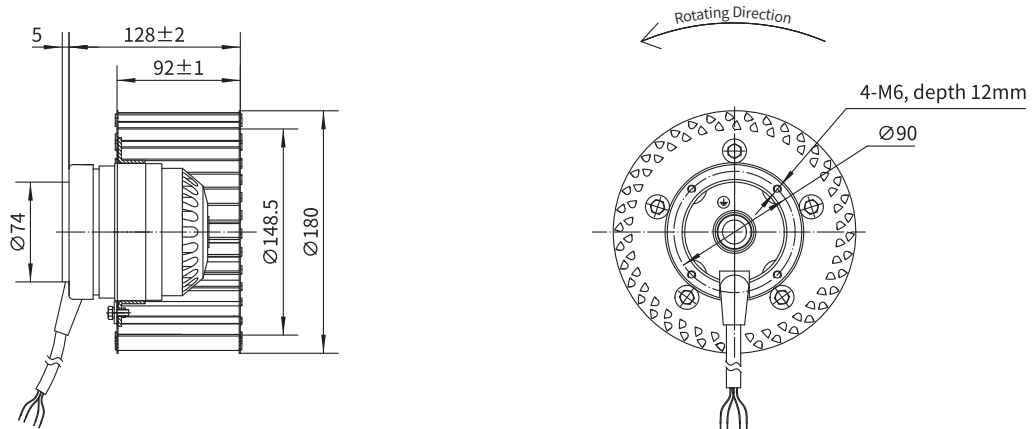
## Forward Curved Centrifugal Fan



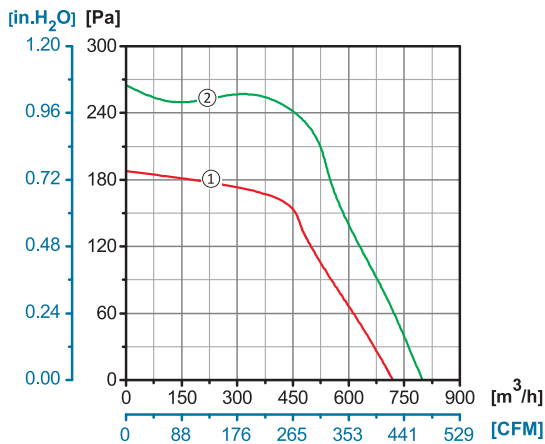
### Φ 180

**Rotor Material:** Aluminum Die-casting  
**Impeller Material:** Galvanized Steel Sheet  
**Ingress Protection:** IP54  
**Insulation Class:** F  
**Bearing Type:** Maintenance Free Ball Bearing

### Dimensional Drawings



### Performance Curves



Model No.	Voltage	Frequency	Current	Power	Speed	Capacitor	Air Flow (0 Pa)	Noise	Curve	Working Temp.	Approvals
	V	Hz	A	W	RPM	μF	[m³/h]/[CFM]	dB(A)	No.	Min/Max (°C)	
YWF.F4S-180-092AX0A	110/120	60	1.00	108	1700	12	800/471	67	②	-30/+60	
YWF.F4S-180-092AX00	220/230	50	0.60	95	1450	3.5	720/423	65	①	-30/+60	CCC, CE
	220/230	60	0.48	100	1710	3.5	790/464	67	②	-30/+60	CE

