

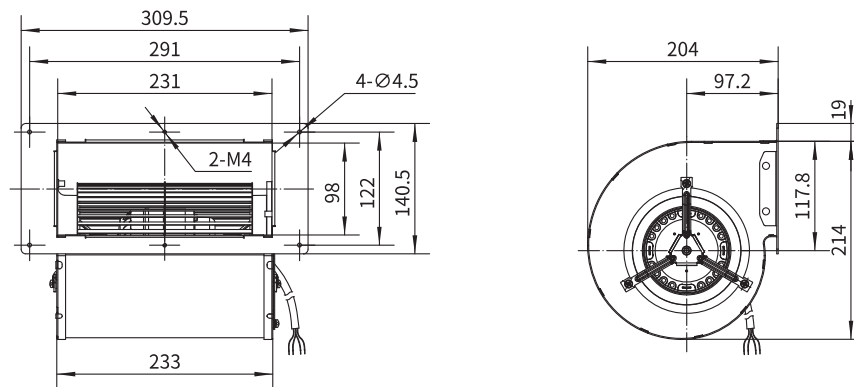
Forward Curved Blower (Dual-inlet)



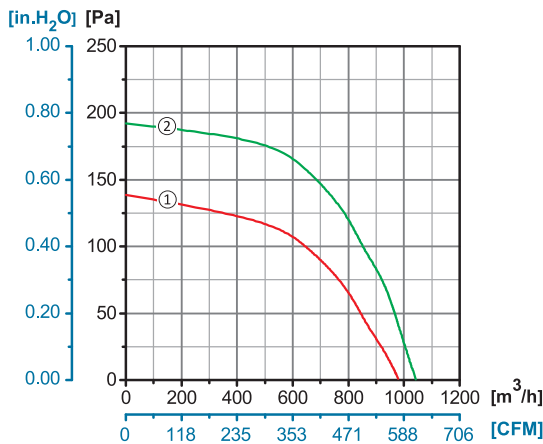
Φ 146

Rotor Material: Aluminum Die-casting
Impeller Material: Galvanized Steel Sheet
Ingress Protection: IP44
Insulation Class: F
Bearing Type: Maintenance Free Ball Bearing

Dimensional Drawings



Performance Curves



Model No.	Voltage	Frequency	Current	Power	Speed	Capacitor	Air Flow (0 Pa)	Noise	Curve	Working Temp.	Approvals
	V	Hz	A	W	RPM	µF	[m ³ /h]/[CFM]	dB(A)	No.	Min/Max (°C)	
YWF.F4S-146-189AA00	220/230	50	0.54	117	1320	5	980/576	61	①	-30/+60	CCC, CE
	220/230	60	0.83	173	1460	5	1041/612	66	②	-30/+60	CE

