



Conventional Carbon Steel Blade Axial Fan

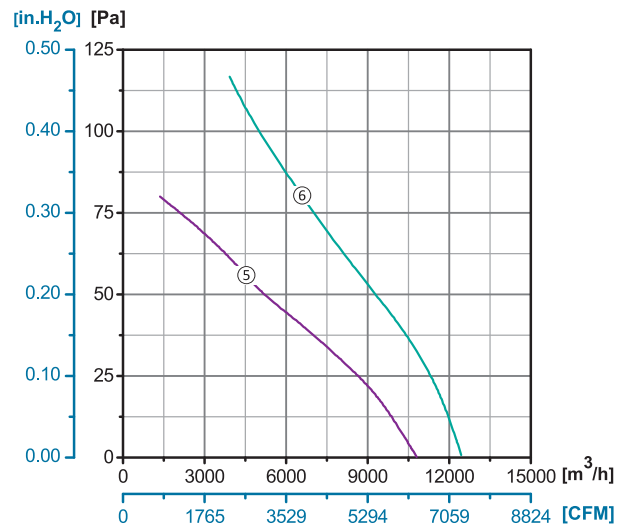
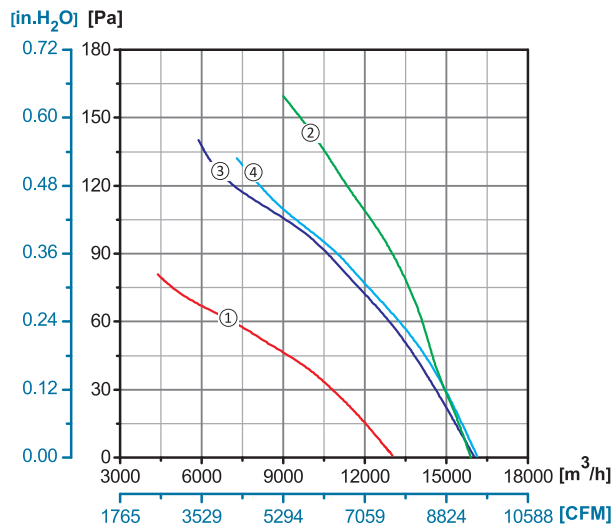
ErP2015
EXCEEDS THE NORM



Φ710

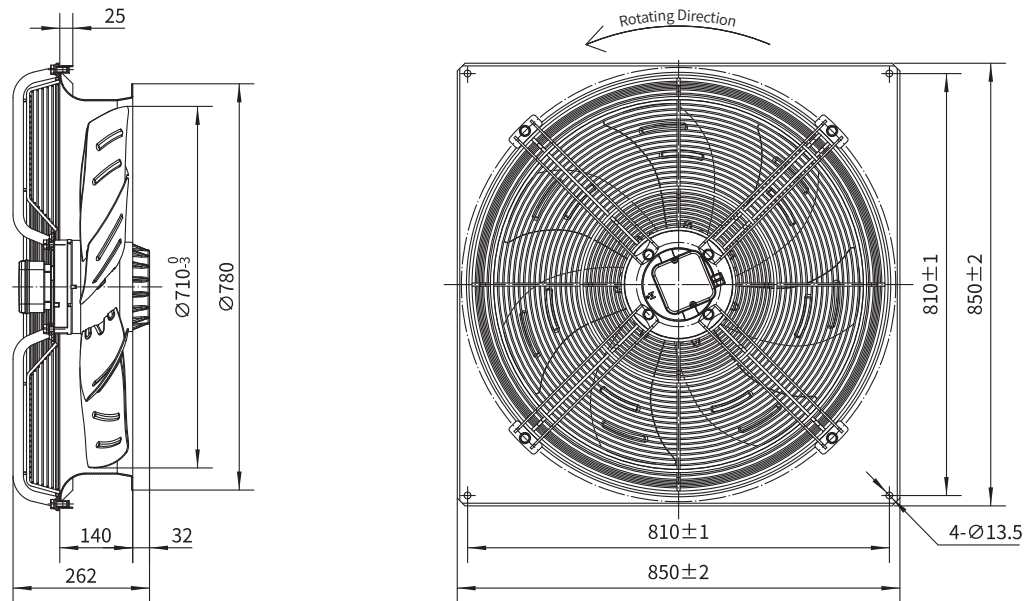
- Rotor Material:** Aluminum Die-casting
- Impeller Material:** Carbon Steel
- Ingress Protection:** IP54
- Insulation Class:** F
- Bearing Type:** Maintenance Free Ball Bearing

Performance Curves



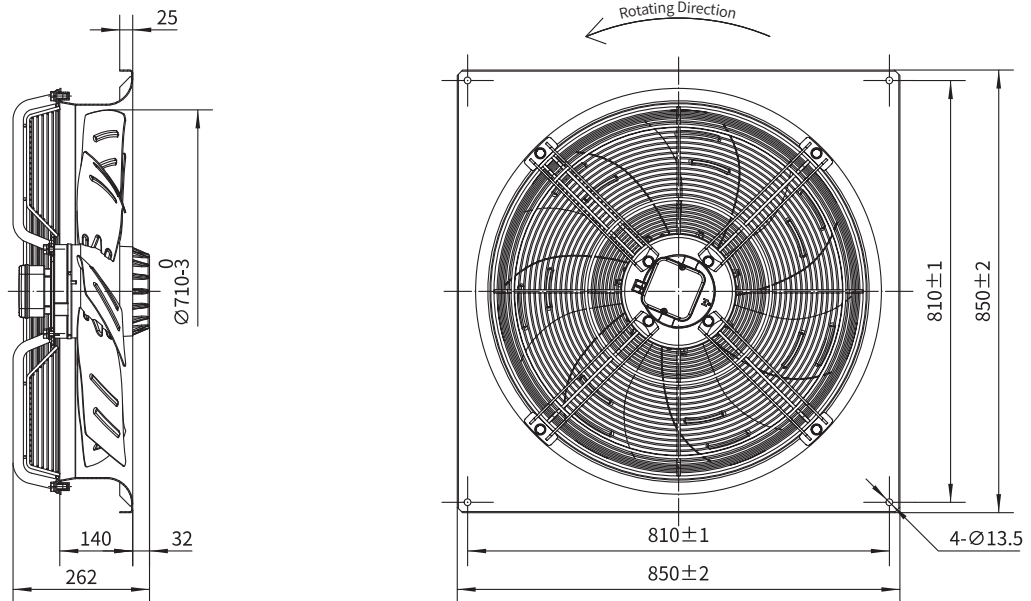
Type B	Type C	Type D	Type E	Type F0
/	/	/	/	YWF.A6T-710S-7F S11
/	/	/	/	YWF.A8T-710S-7F S11
/	/	/	/	YWF.A6T-710S-7F V11


Type F0



Conv. Steel Blade Axial

Type F1



	Voltage	Frequency	Current	Power	Speed	Capacitor	Air Flow (0 Pa)	Noise	Curve	Working Temp.	Approvals
Type F1	V	Hz	A	W	RPM	µF	[m³/h]/[CFM]	dB(A)	No.	Min/Max(°C)	
YWF.A6T-710S-7F S10	380/400	50	2.30	1100	920	/	16020/9424	75	③	-30/+60	CCC, CE
	380/400	50	1.40	800	780	/	13000/7647	68	①	-30/+60	CCC, CE
	380/400	60	1.80	1000	1050	/	15900/9353	78	②	-30/+60	CCC, CE, UL
YWF.A8T-710S-7F S10	380/400	50	1.28	450	700	/	12500/7353	70	⑤	-30/+60	CCC, CE
	380/400	50	0.63	340	610	/	10800/6353	66	⑥	-30/+60	CCC, CE
YWF.A6T-710S-7F V10	200/230	50	3.40	1100	900	/	16140/9494	75	④	-30/+60	CCC, CE
	380/400	50	2.00	1100	900	/	16140/9494	75	④	-30/+60	CCC, CE