



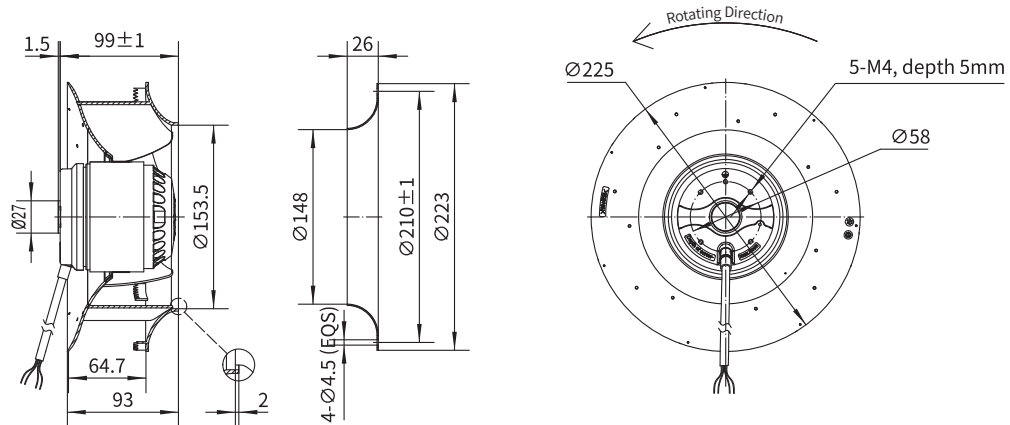
## Backward Curved Centrifugal Fan with Aileron Impeller



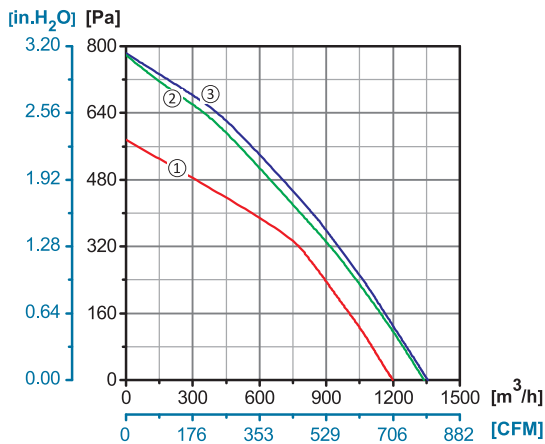
### Φ 225

**Rotor Material:** Aluminum Die-casting  
**Impeller Material:** Plastic  
**Ingress Protection:** IP44  
**Insulation Class:** F  
**Bearing Type:** Maintenance Free Ball Bearing

### Dimensional Drawings



### Performance Curves



Model No.	Voltage	Frequency	Current	Power	Speed	Capacitor	Air Flow (0 Pa)	Noise	Curve	Working Temp.	Approvals
	V	Hz	A	W	RPM	µF	[m <sup>3</sup> /h]/[CFM]	dB(A)	No.	Min/Max (°C)	
YWF.B2S-225-089AB2A	110/120	60	1.91	196	2880	28	1340/788	79	②	-30/+60	
YWF.B2S-225-089AB20	220/230	50	0.62	136	2780	7	1200/630	76	①	-30/+60	CCC, CE
	220/230	60	0.99	202	3180	7	1360/800	80	③	-30/+60	CE