

EC Backward Curved Centrifugal Fan with Aileron Impeller

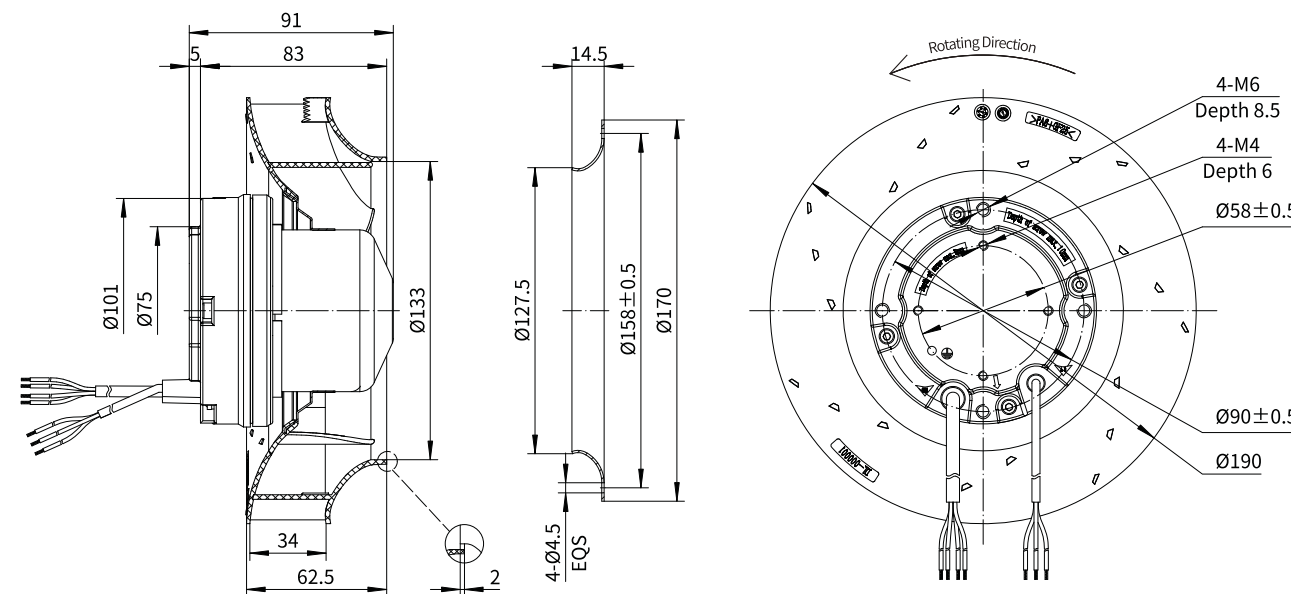
Erp2015  
EXCEEDS THE NORM

Motorized Backward Curved Impeller

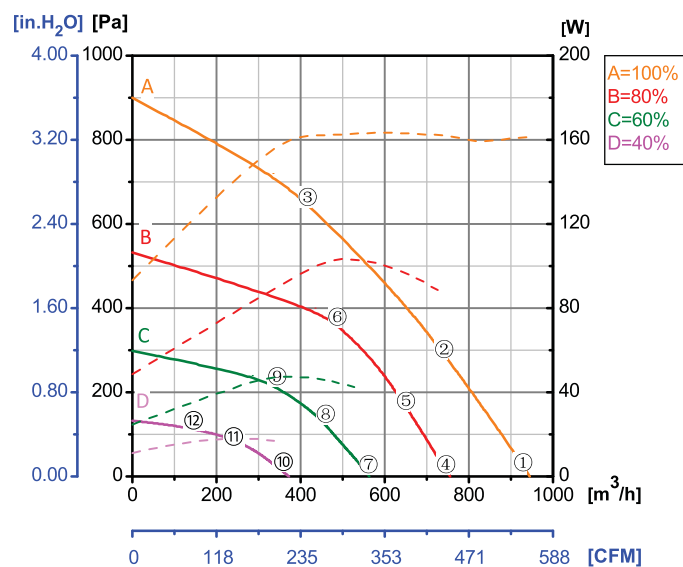


Φ 190-H

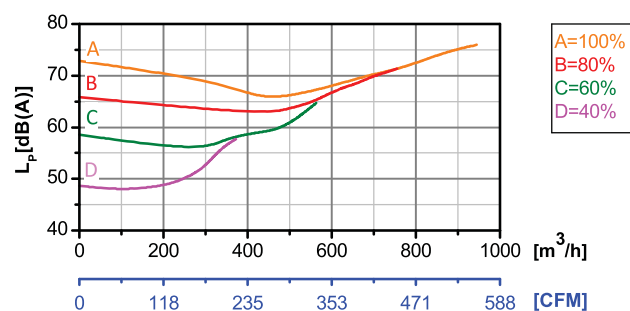
Rotor Material: Carbon steel  
Impeller Material: Plastic  
Ingress Protection: IP54  
Insulation Class: F  
Bearing Type: Maintenance free ball bearing



Performance Curves



Test Point	Speed	Input Power
	rpm	W
1	4146	161
2	3937	162
3	3928	162
4	3313	85
5	3311	96
6	3312	104
7	2485	40
8	2485	46
9	2486	47
10	1658	16
11	1656	17
12	1656	18



Erp2015 Data:  
Efficiency  $\eta_{statA}$  = 55.2%  
Efficiency grade  $N_{actual}$  = 74,  $N_{target}$  = 62  
Test report No. : L-20210302 -005 -004

Model No.	Voltage	Frequency	Speed	Input Power	Current	Working Temp.	Approvals
	VAC	Hz	RPM	W	A	Min/Max (°C)	
EC72-B190-030	1~220/230	50/60	4120	160	1.20	-20/+60	CCC,CE

Aileron Impeller B/C Centrifugal