

DC Forward Curved Centrifugal Fan and Blower

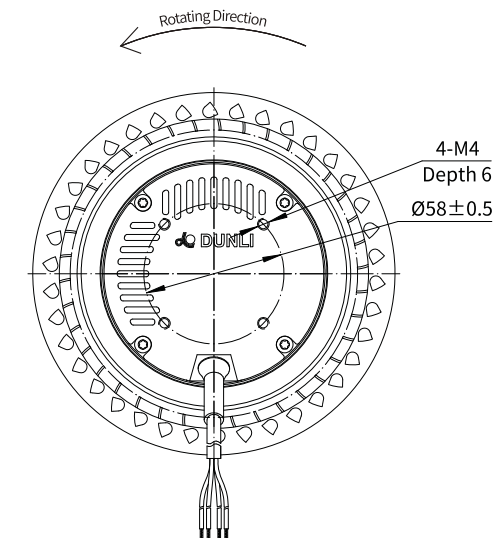
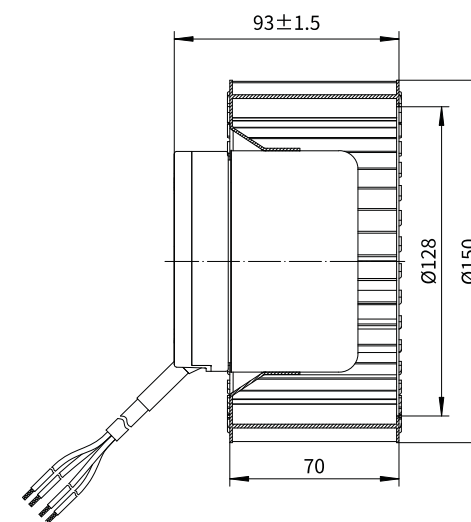
Erp2015
EXCEEDS THE NORM

Motorized Forward Curved Impeller

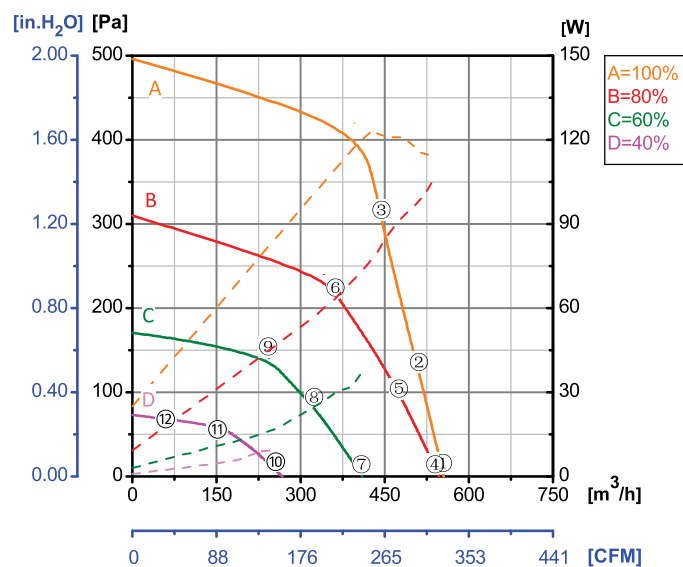


Φ 150

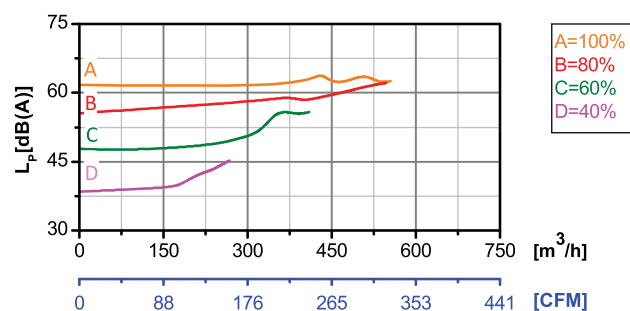
- Rotor Material: Carbon steel
- Housing Material: Carbon steel
- Impeller Material: Galvanized steel sheet
- Ingress Protection: IP42
- Insulation Class: F
- Bearing Type: Maintenance free ball bearing



Performance Curves

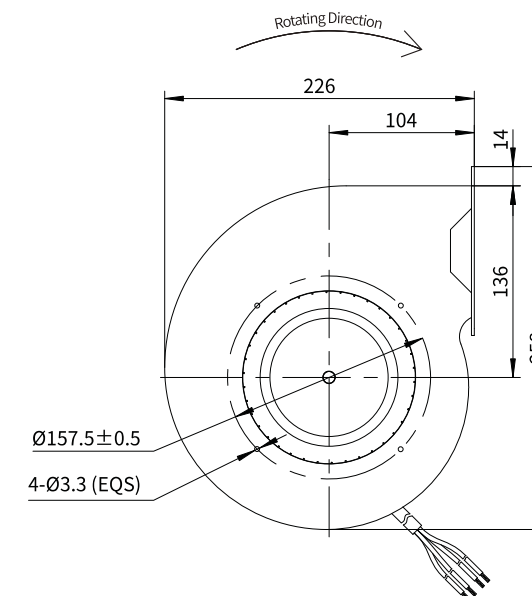
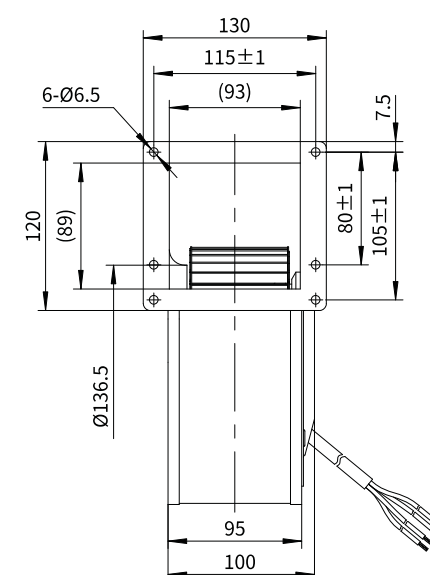


Test Point	Speed	Input Power
	rpm	W
1	2426	115
2	2587	115
3	2863	121
4	2389	109
5	2388	93
6	2391	65
7	1798	37
8	1798	25
9	1796	16
10	1196	11
11	1196	9
12	1196	6



Erp2015 Data:
Efficiency η_{statA} = 45.2%
Efficiency grade N_{actual} = 57.3, N_{target} = 44
Test report No. : L-20210302 -003-037

Blower



Model No.	Voltage	Frequency	Speed	Input Power	Current	Working Temp.	Approvals
	VAC	Hz	RPM	W	A	Min/Max (°C)	
DC92-F150-A10	24	/	2450	120	5.00	-20/+60	CE
DC92-F150-C10	48	/	2450	120	2.50	-20/+60	CCC,CE
DC92-F150-031	310	/	2450	120	0.39	-20/+60	CCC,CE