

EC Forward Curved Centrifugal Fan and Blower

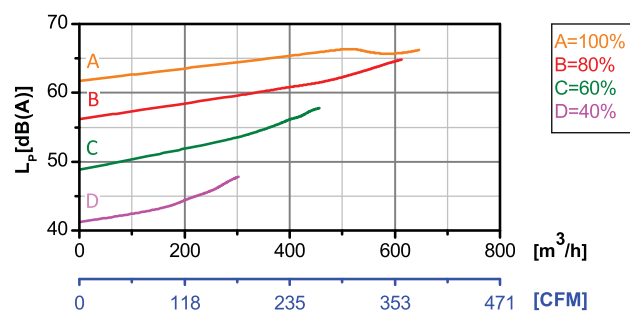
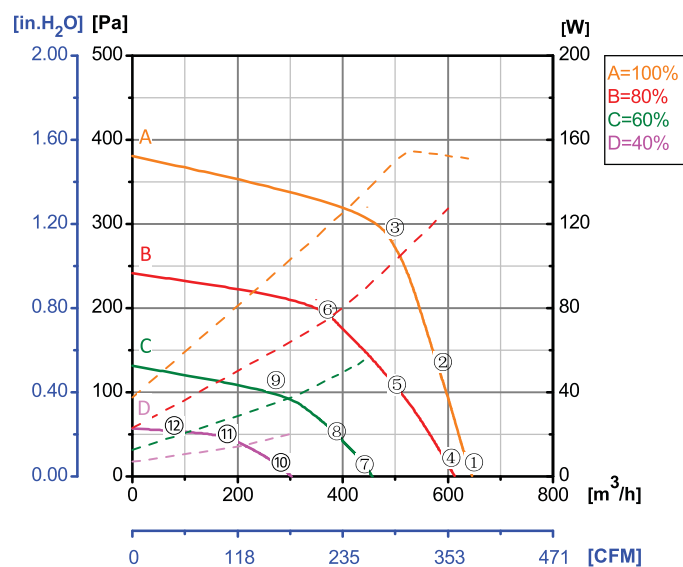
Erp2015
EXCEEDS THE NORM



Φ 160-H

Rotor Material: Carbon steel
Housing Material: Carbon steel
Impeller Material: Galvanized steel sheet
Ingress Protection: IP44
Insulation Class: F
Bearing Type: Maintenance free ball bearing

Performance Curves

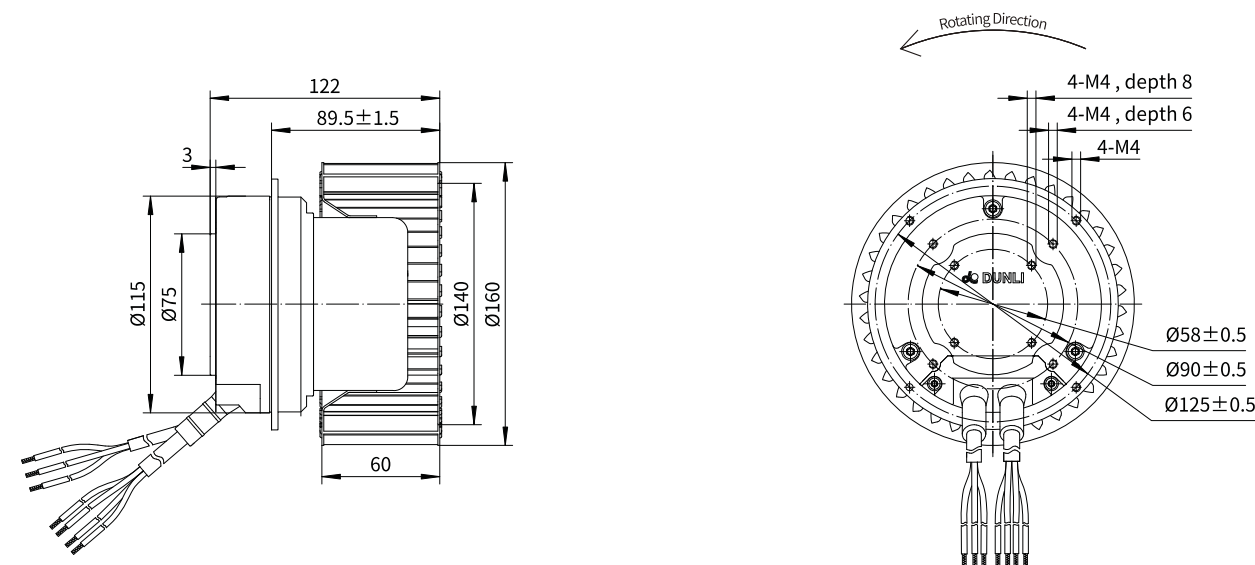


Test Point	Speed	Input Power
	rpm	W
1	2092	151
2	2258	153
3	2488	150
4	1999	130
5	1997	108
6	1993	79
7	1496	57
8	1491	50
9	1493	36
10	1000	20
11	1000	18
12	1000	14

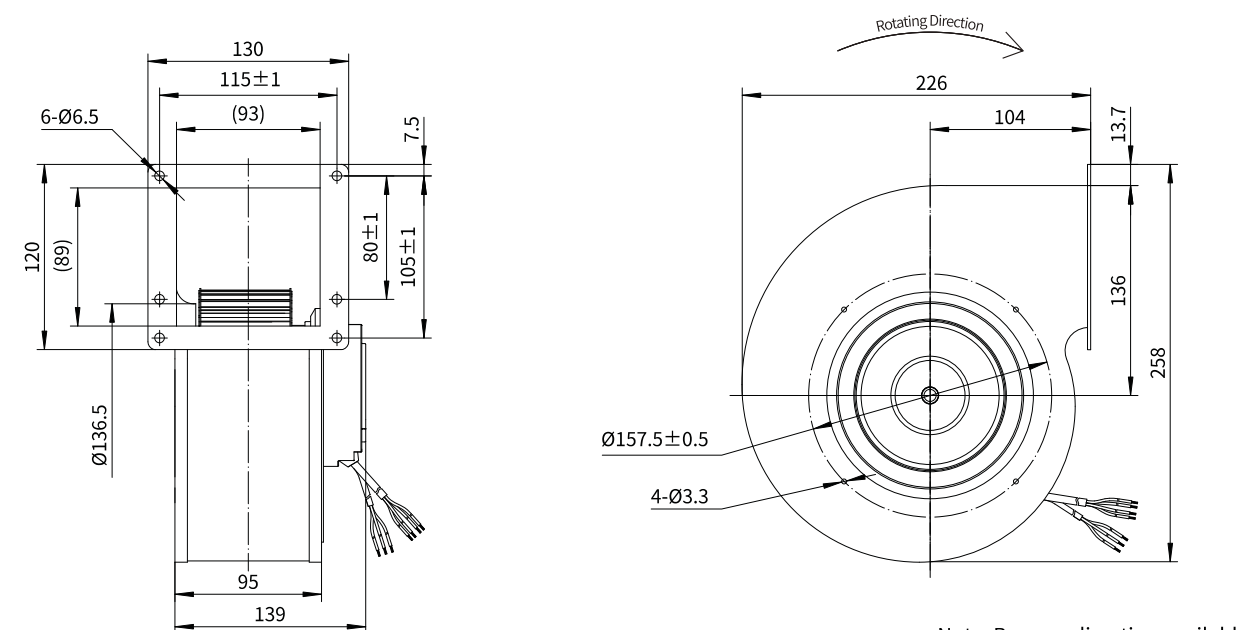
Erp2015 Data:
Efficiency η_{statA} = 33.9%
Efficiency grade N_{actual} = 45.8, N_{target} = 44
Test report No. : L-20210302 -003-032

Model No.	Voltage	Frequency	Speed	Input Power	Current	Working Temp.	Approvals
	VAC	Hz	RPM	W	A	Min/Max (°C)	
EC92-F160-030	1~220/230	50/60	2100	150	1.15	-20/+60	CCC,CE,UL

Motorized Forward Curved Impeller



Blower



Note: Reverse direction available