

DC Forward Curved Centrifugal Fan and Blower

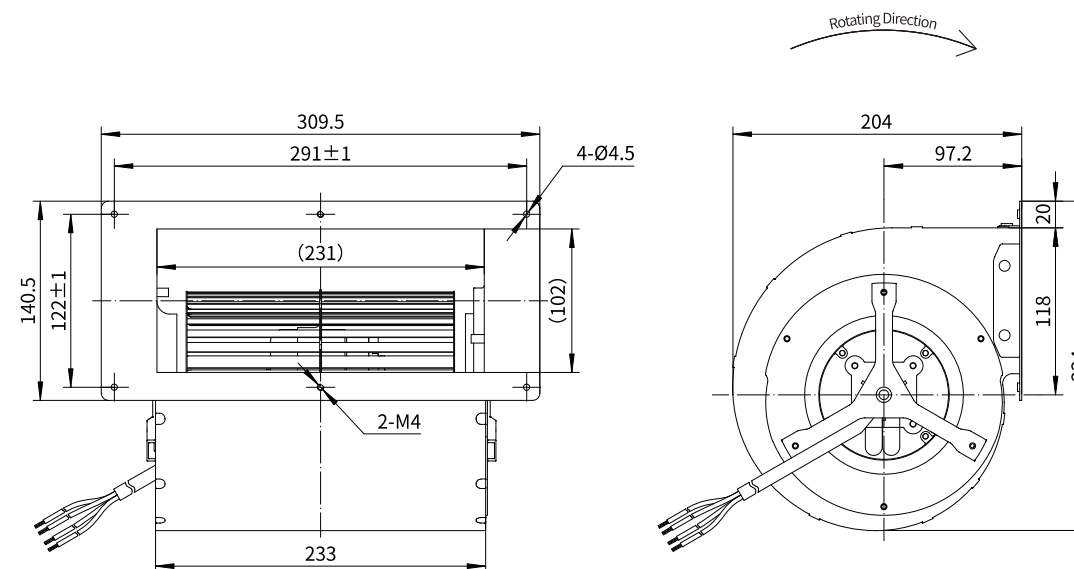
Erp2015
EXCEEDS THE NORM

Blower

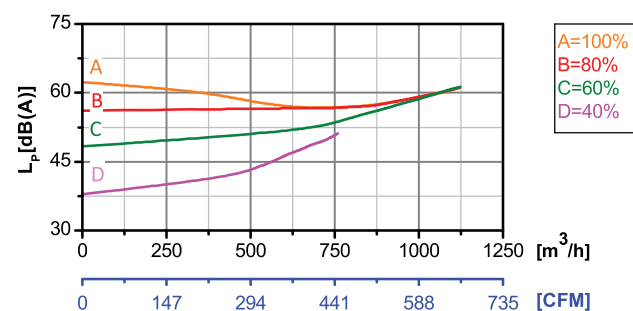
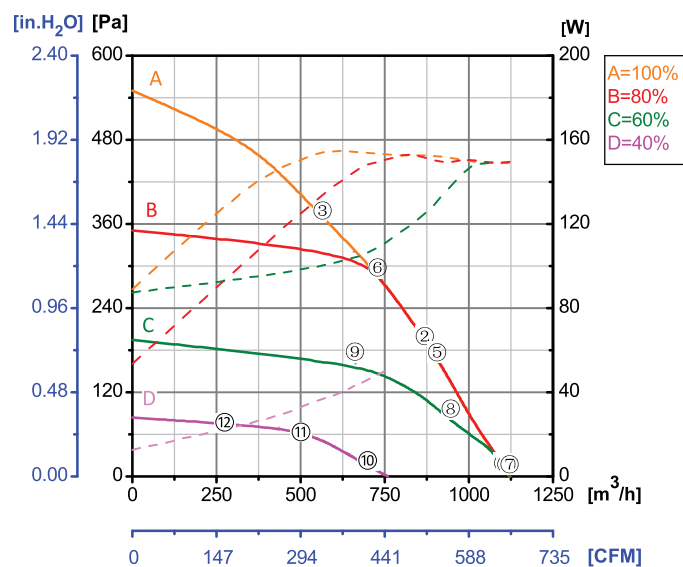


Φ 146 (Dual-inlet)

- Rotor Material: Carbon steel
- Housing Material: Carbon steel
- Impeller Material: Galvanized steel sheet
- Ingress Protection: IP42
- Insulation Class: F
- Bearing Type: Maintenance free ball bearing



Performance Curves



Test Point	Speed	Input Power
	rpm	W
1	1685	149
2	2016	152
3	2492	155
4	1685	149
5	1975	150
6	2255	149
7	1687	148
8	1765	129
9	1772	87
10	1180	51
11	1182	42
12	1185	34

Erp2015 Data:
Efficiency $\eta_{statA}=44\%$
Efficiency grade $N_{actual}=55.5, N_{target}=44$
Test report No. : L-20210302-003-086

Model No.	Voltage	Frequency	Speed	Input Power	Current	Working Temp.	Approvals
	VAC	Hz	RPM	W	A	Min/Max (°C)	
DC92-F146-C10	48	/	1700	150	3.10	-20/+60	CCC,CE
DC92-F146-D10	310	/	1700	150	0.48	-20/+60	CCC,CE