

EC Conventional Carbon Steel Blade Axial Fan

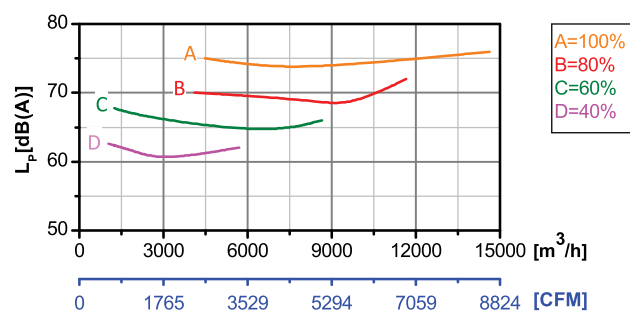
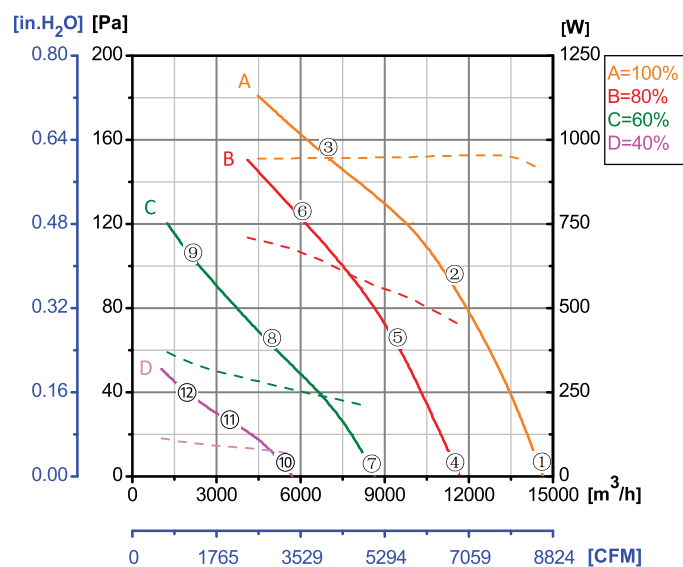
Erp2015  
EXCEEDS THE NORM



Φ 630 (3-phase)

Rotor Material: Carbon steel  
Blade Material: Carbon steel  
Ingress Protection: IP54  
Insulation Class: F  
Bearing Type: Maintenance free ball bearing

Performance Curves

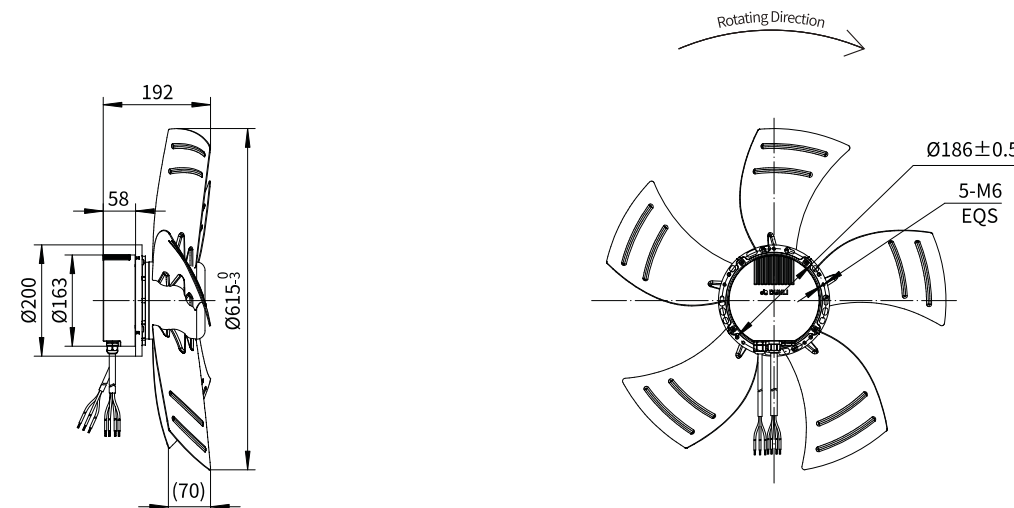


Test Point	Speed	Input Power
	rpm	W
1	1294	907
2	1256	953
3	1162	950
4	1035	451
5	1037	541
6	1036	670
7	779	197
8	777	271
9	776	325
10	517	68
11	522	83
12	520	100

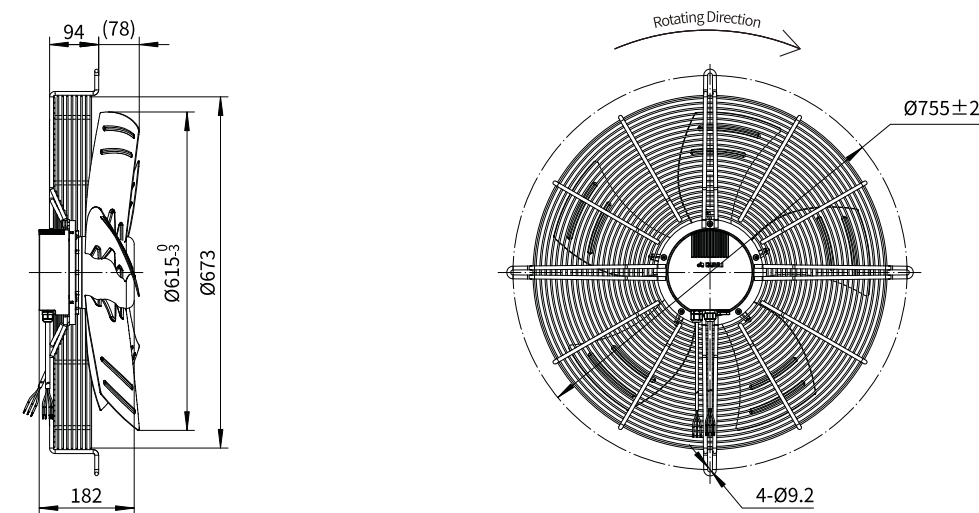
Erp2015 Data:  
Efficiency η<sub>statA</sub>=38.4%  
Efficiency grade N<sub>actual</sub>=44.9, N<sub>target</sub>=40  
Test report No. : L-20210302-004-057

Model No.	Voltage	Frequency	Speed	Input Power	Current	Working Temp.	APPROVALS
	VAC	Hz	RPM	W	A	Min/Max (°C)	
EC137-A630-KA1	3~380/400	50/60	1250	1000	1.81	-20/+60	CCC,CE,UL

Type A



Type D



Type F

