



## Plastic Airfoil Blade Axial Fan

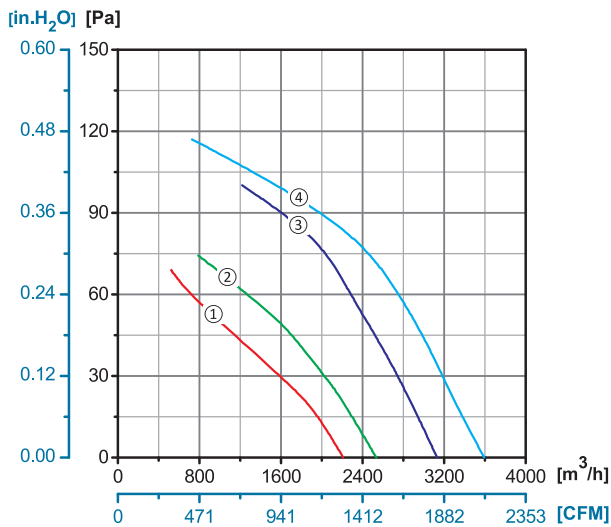
**ErP2015**  
EXCEEDS THE NORM



### Φ350

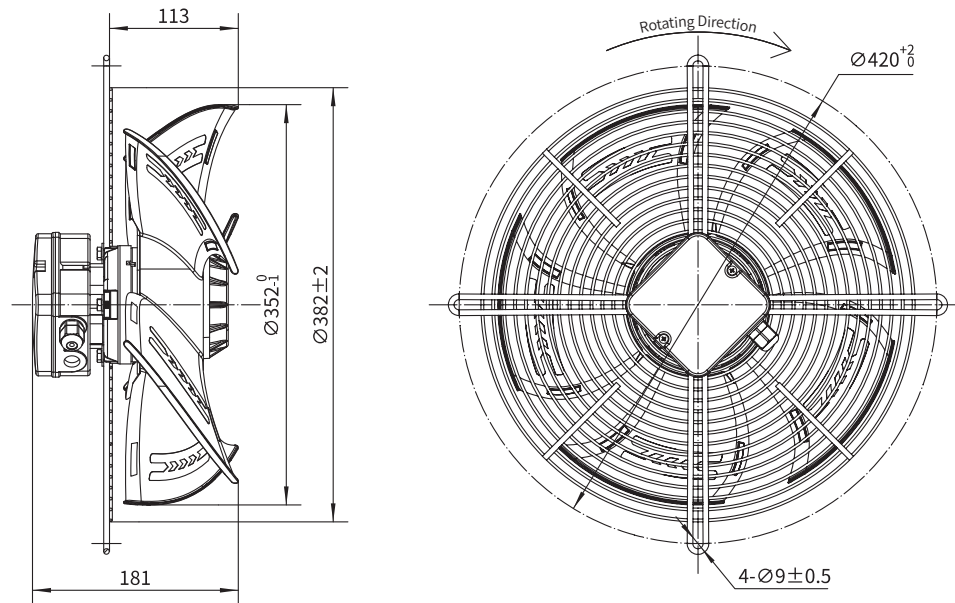
**Rotor Material:** Aluminum Die-casting  
**Impeller Material:** Plastic  
**Ingress Protection:** IP54  
**Insulation Class:** F  
**Bearing Type:** Maintenance Free Ball Bearing

### Performance Curves

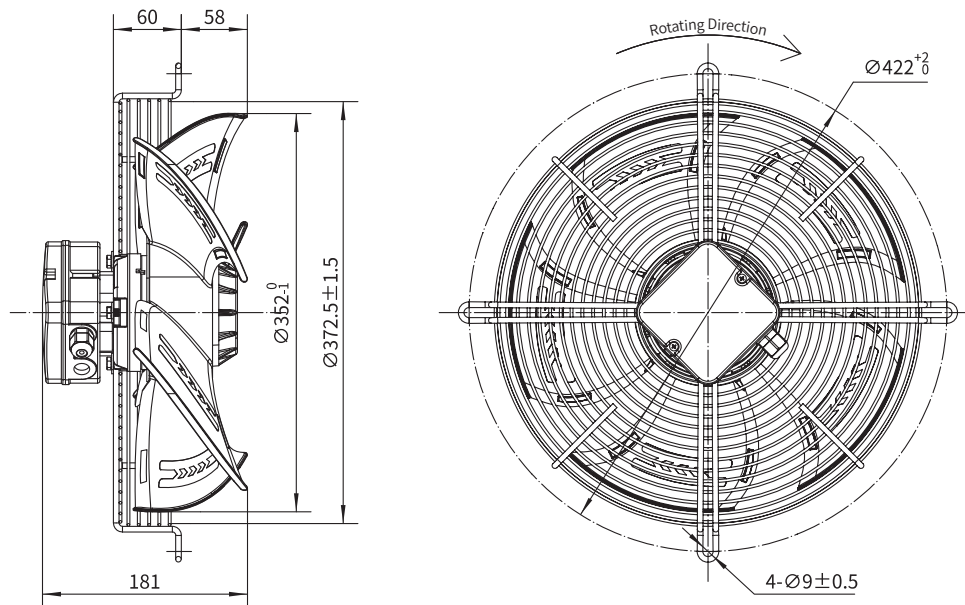



Type B	Type C	Type D	Type E	Type F0
YWF.A4S-350S-5B   AP0	YWF.A4S-350S-5C   AP0	YWF.A4S-350S-5D   AP0	YWF.A4S-350S-5E   AP0	YWF.A4S-350S-5F   AP0
YWF.A4T-350S-5B   AP0	YWF.A4T-350S-5C   AP0	YWF.A4T-350S-5D   AP0	YWF.A4T-350S-5E   AP0	YWF.A4T-350S-5F   AP0
YWF.A6S-350S-5B   AP0	YWF.A6S-350S-5C   AP0	YWF.A6S-350S-5D   AP0	YWF.A6S-350S-5E   AP0	YWF.A6S-350S-5F   AP0
YWF.A6T-350S-5B   AP0	YWF.A6T-350S-5C   AP0	YWF.A6T-350S-5D   AP0	YWF.A6T-350S-5E   AP0	YWF.A6T-350S-5F   AP0

## Type B



## Type C



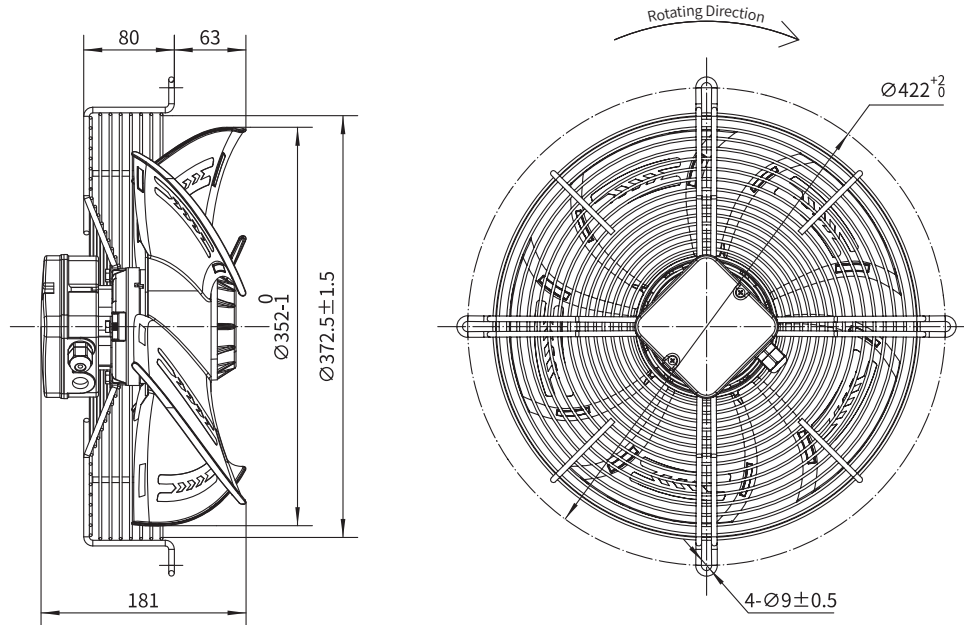
	Voltage	Frequency	Current	Power	Speed	Capacitor	Air Flow (0 Pa)	Noise	Curve	Working Temp.	Approvals
Type F1	V	Hz	A	W	RPM	$\mu\text{F}$	$[\text{m}^3/\text{h}]/[\text{CFM}]$	dB(A)	No.	Min/Max( $^{\circ}\text{C}$ )	
/	220/230	50	0.73	155	1380	4	3140/1845	60	③	-30/+60	CCC, CE
/	220/230	60	0.94	215	1500	4	3600/2120	63	④	-30/+60	CCC, CE
/	380/400	50	0.37	150	1370	/	3060/1800	60	③	-30/+60	CCC, CE
/	380/400	60	0.38	200	1530	/	3470/2040	63	④	-30/+60	CCC, CE
/	220/230	50	0.41	85	910	3	2080/1225	48	①	-30/+60	CCC, CE
/	220/230	60	0.39	90	1060	3	2420/1426	53	②	-30/+60	CCC, CE
/	380/400	50	0.21	70	930	/	2200/1295	54	①	-30/+60	CCC, CE
/	380/400	60	0.19	85	1050	/	2540/1495	56	②	-30/+60	CCC, CE



Plastic Airfoil Blade Axial Fan

**Φ 350**

Type D





**Plastic Airfoil Blade Axial Fan**

**Φ 350**

**Type F0**

