

EC High-efficiency Backward Curved Centrifugal Fan

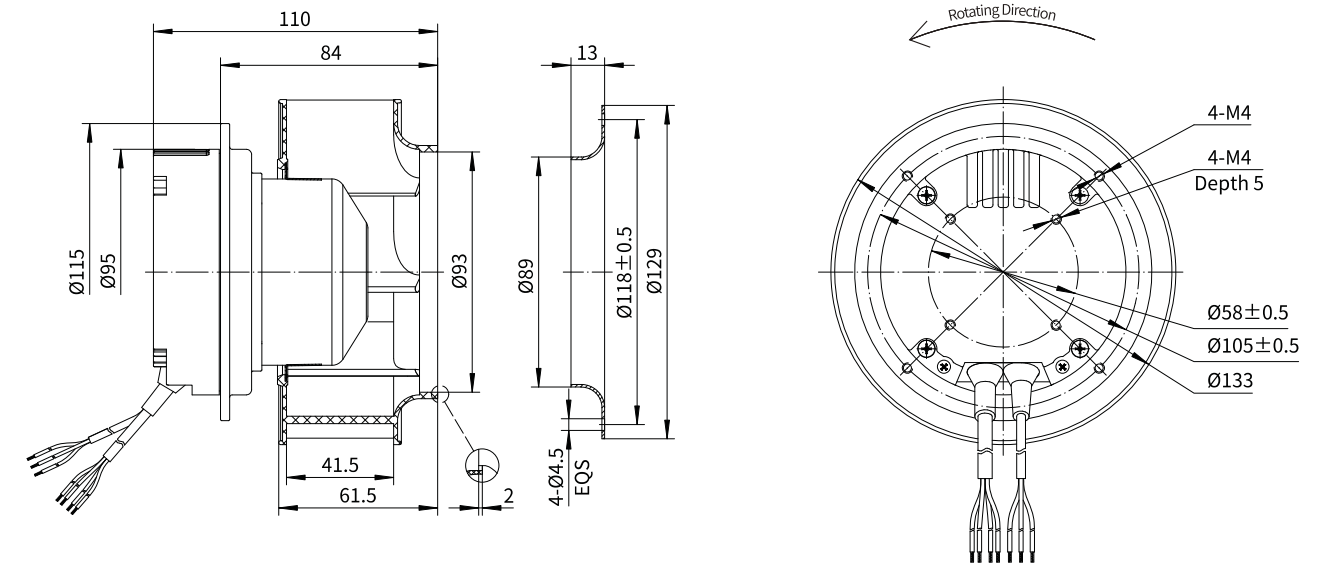
Erp2015
EXCEEDS THE NORM

Motorized Backward Curved Impeller

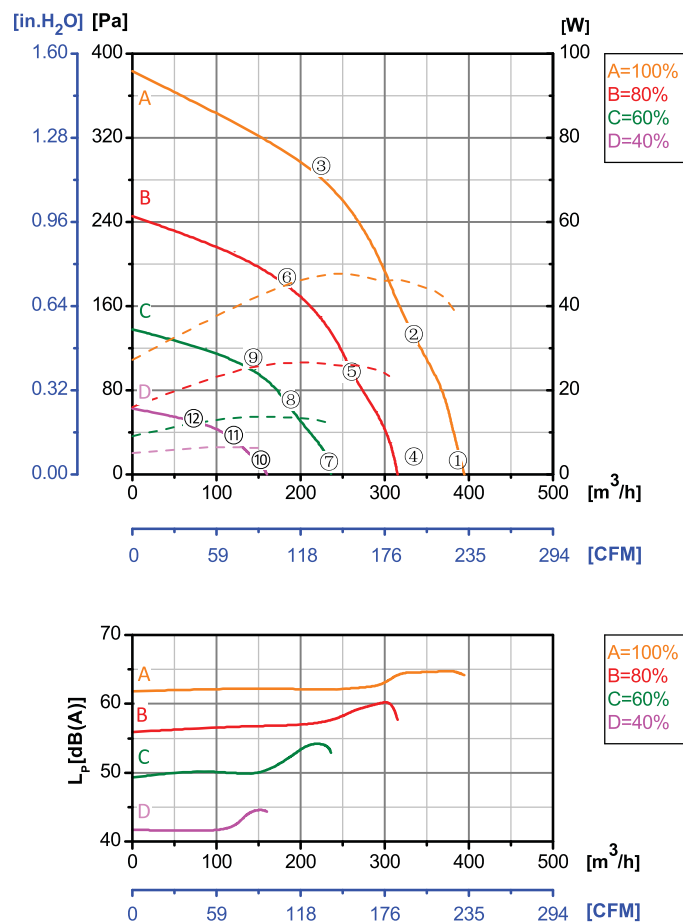


Φ 133

Rotor Material: Carbon steel
 Impeller Material: Plastic
 Ingress Protection: IP44
 Insulation Class: F
 Bearing Type: Maintenance free ball bearing



Performance Curves



Test Point	Speed	Input Power
	rpm	W
1	4478	36
2	4477	45
3	4479	48
4	3581	20
5	3592	26
6	3578	27
7	2673	12
8	2684	14
9	2685	14
10	1798	5
11	1789	6
12	1790	6

Erp2015 Data:
 Efficiency η_{statA} = 44.8%
 Efficiency grade N_{actual} = 69.2, N_{target} = 62
 Test report No. : L-20210302-005-001

Model No.	Voltage	Frequency	Speed	Input Power	Current	Working Temp.	Approvals
	VAC	Hz	RPM	W	A	Min/Max (°C)	
EC72-B133-002	1~220/230	50/60	4500	45	0.42	-20/+60	CCC,CE